

Installation manual

e-Matrix 800/1600 ST

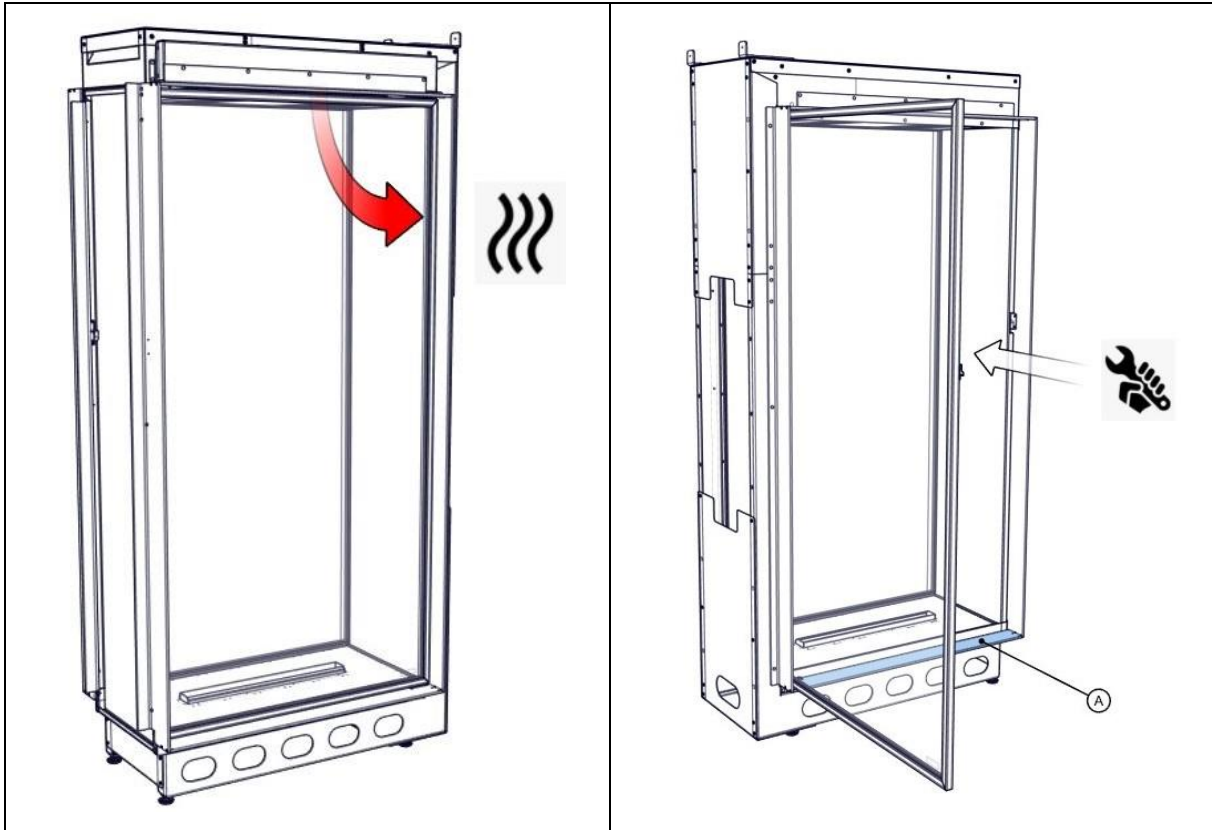
ENG



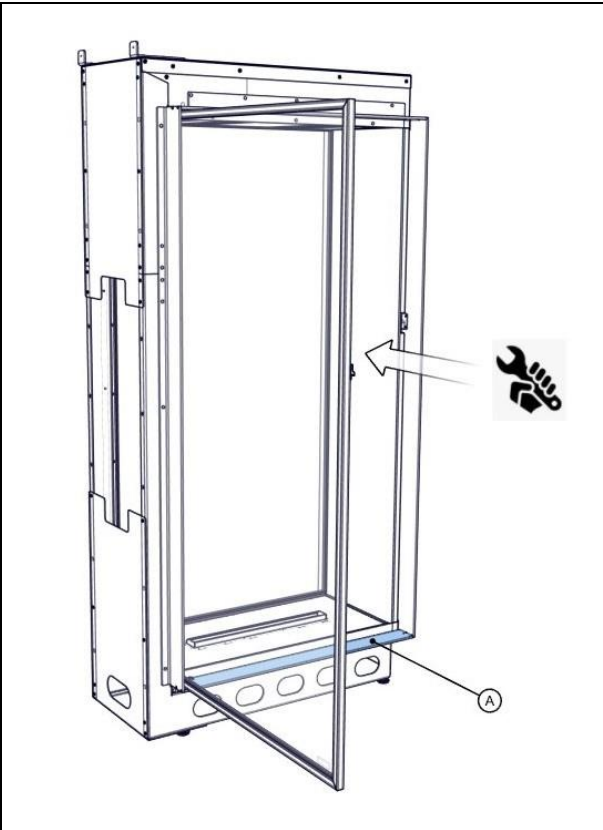
40012169-2311



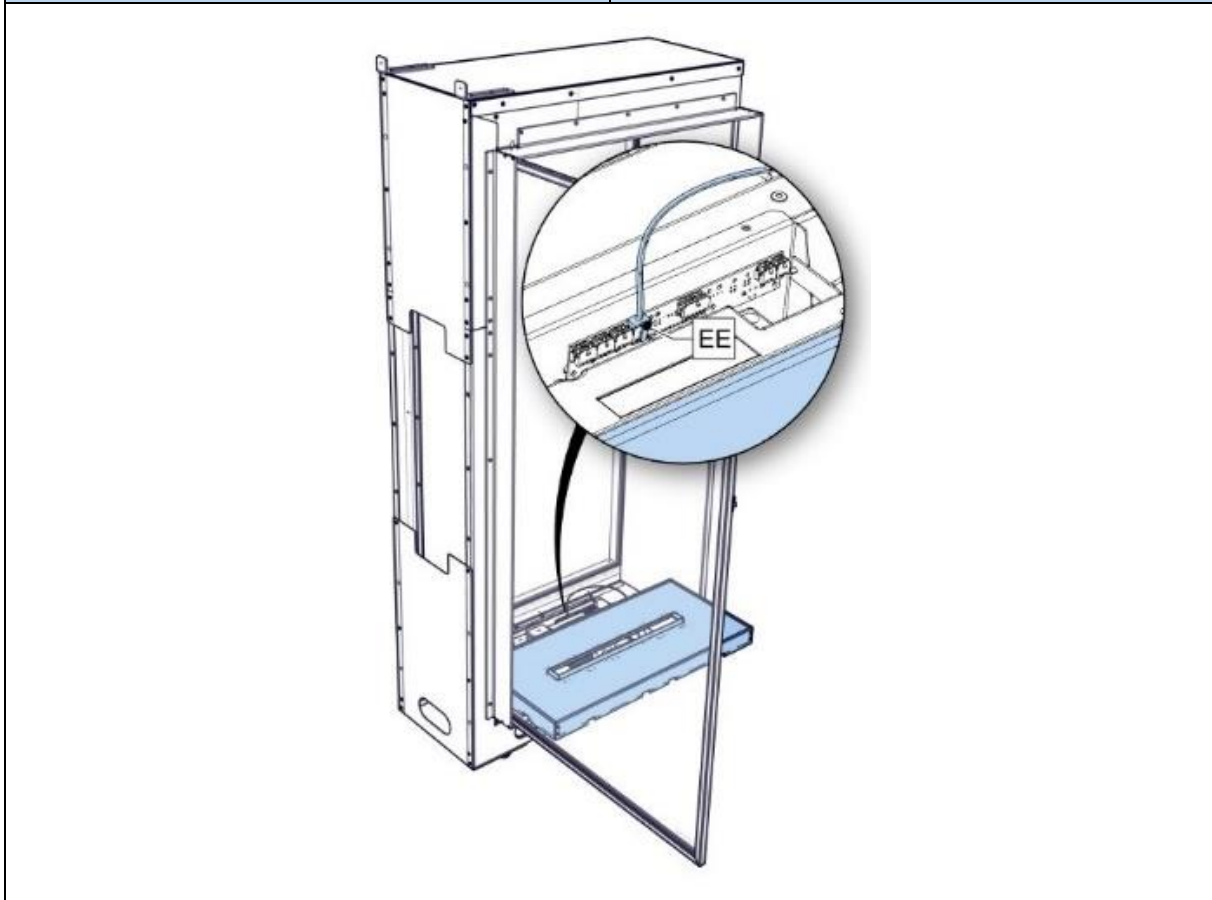




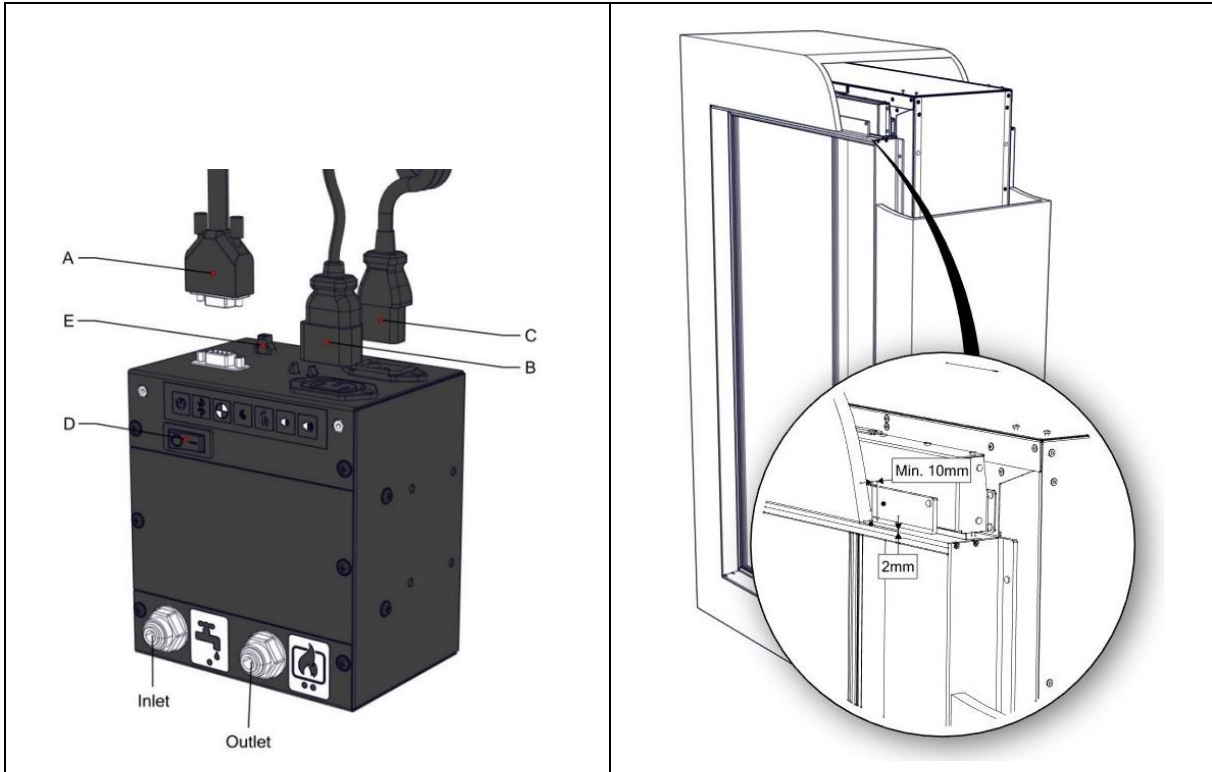
1.0



1.1

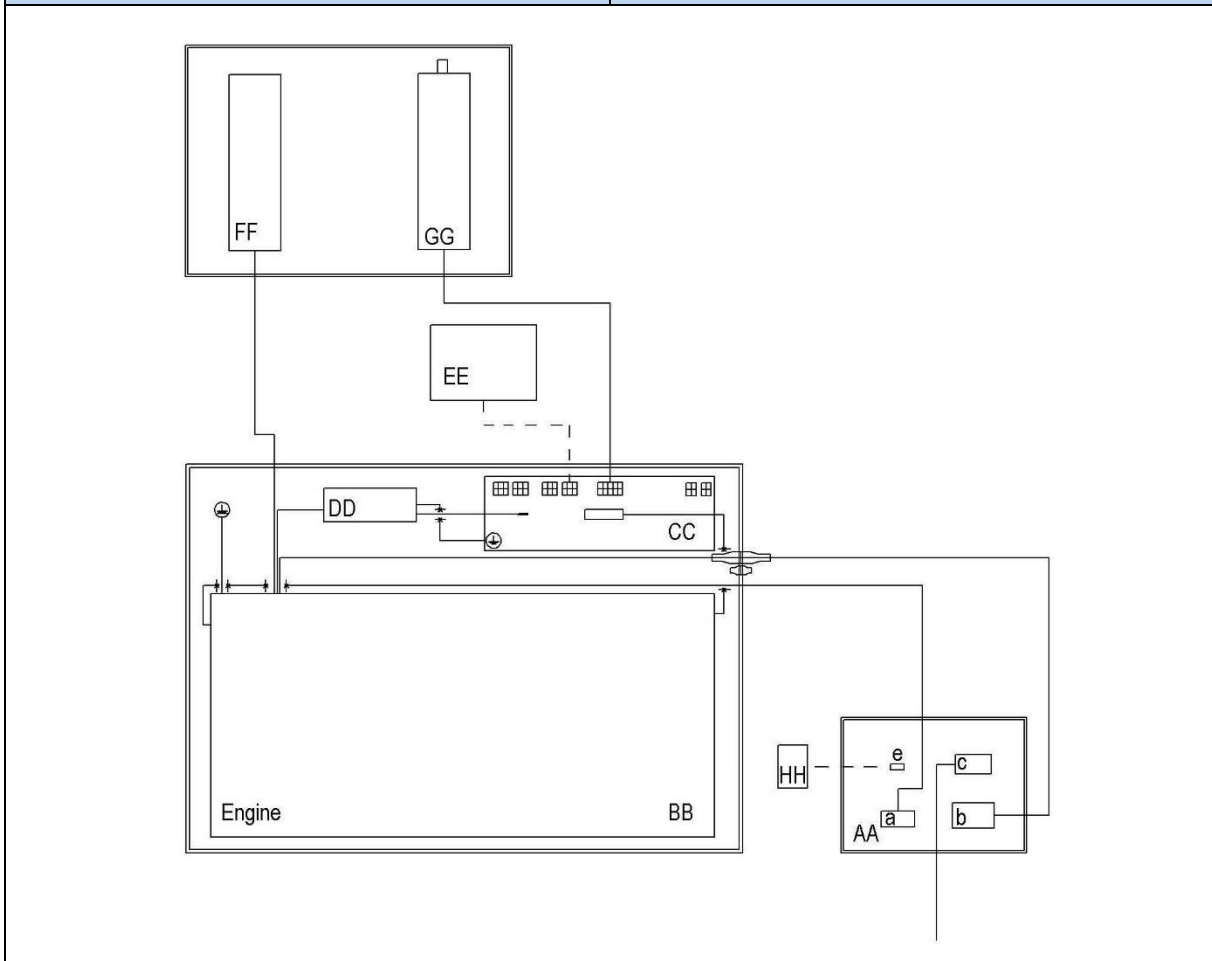


1.2



1.3

1.4

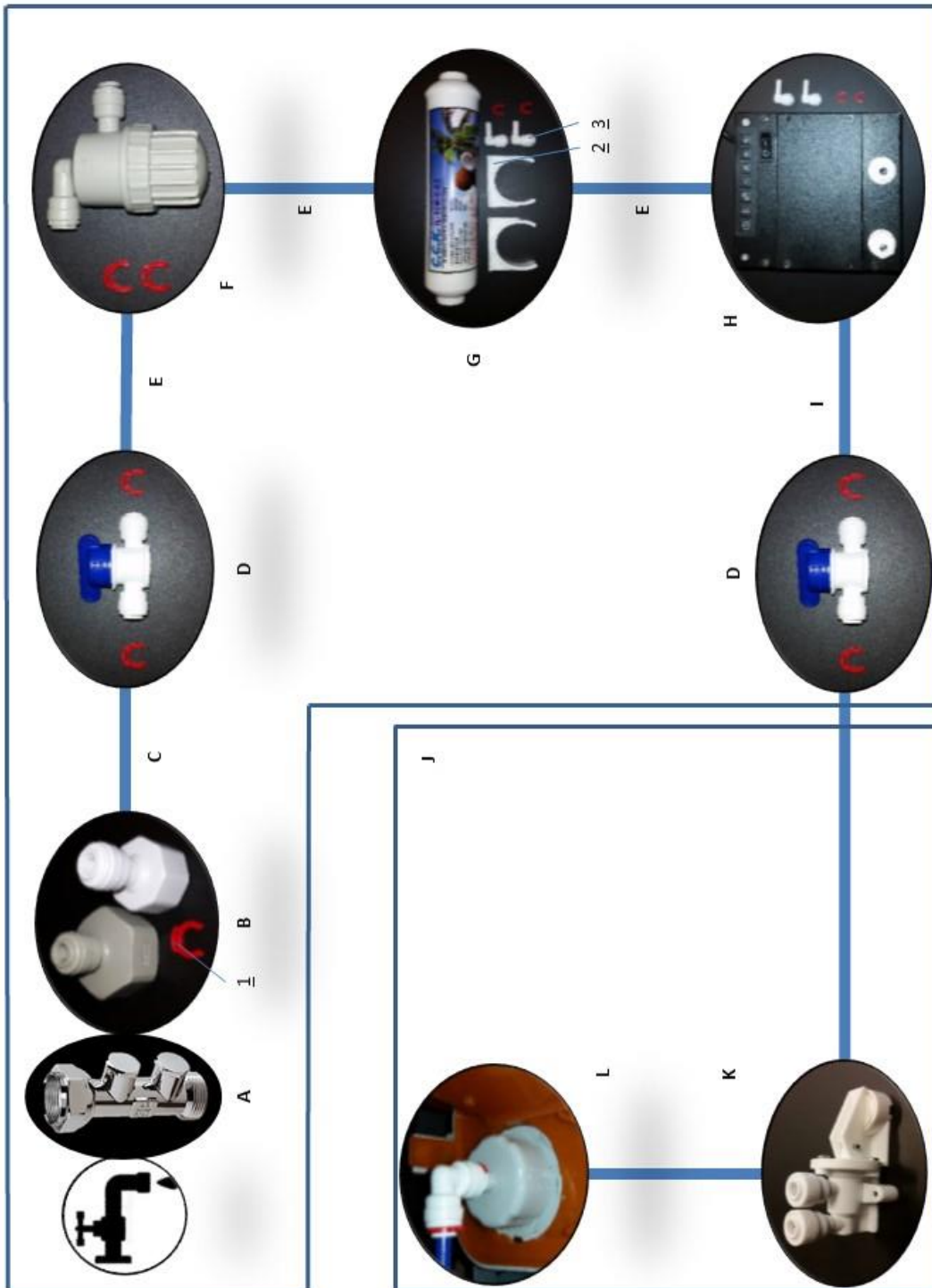


2.0

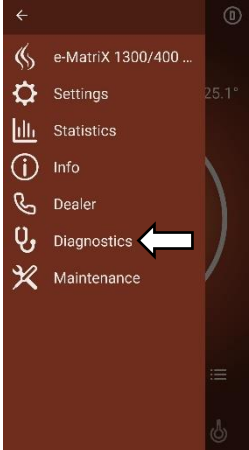
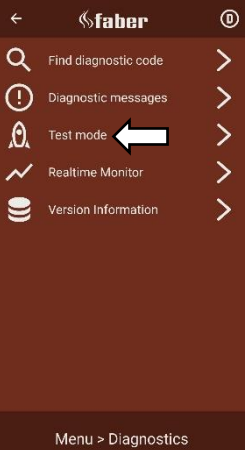

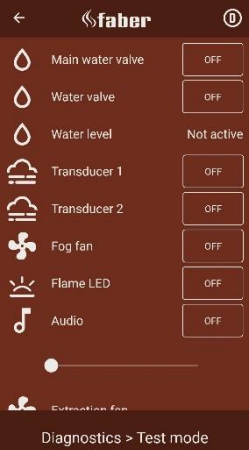
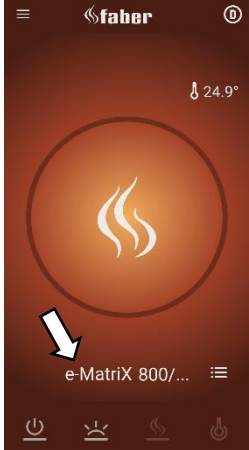



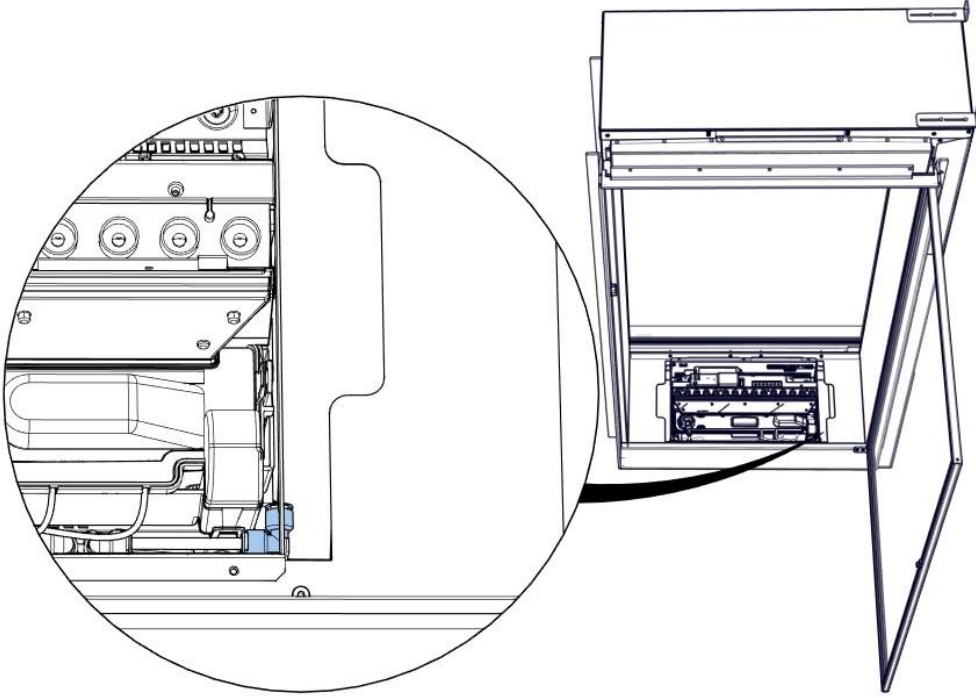
A = EA non-return valve
 B = 1/2 or 3/4" connector
 C = 1/4" 1m pipe
 D = Valve
 E = To be cut from a 1/4" pipe length of 1 meter

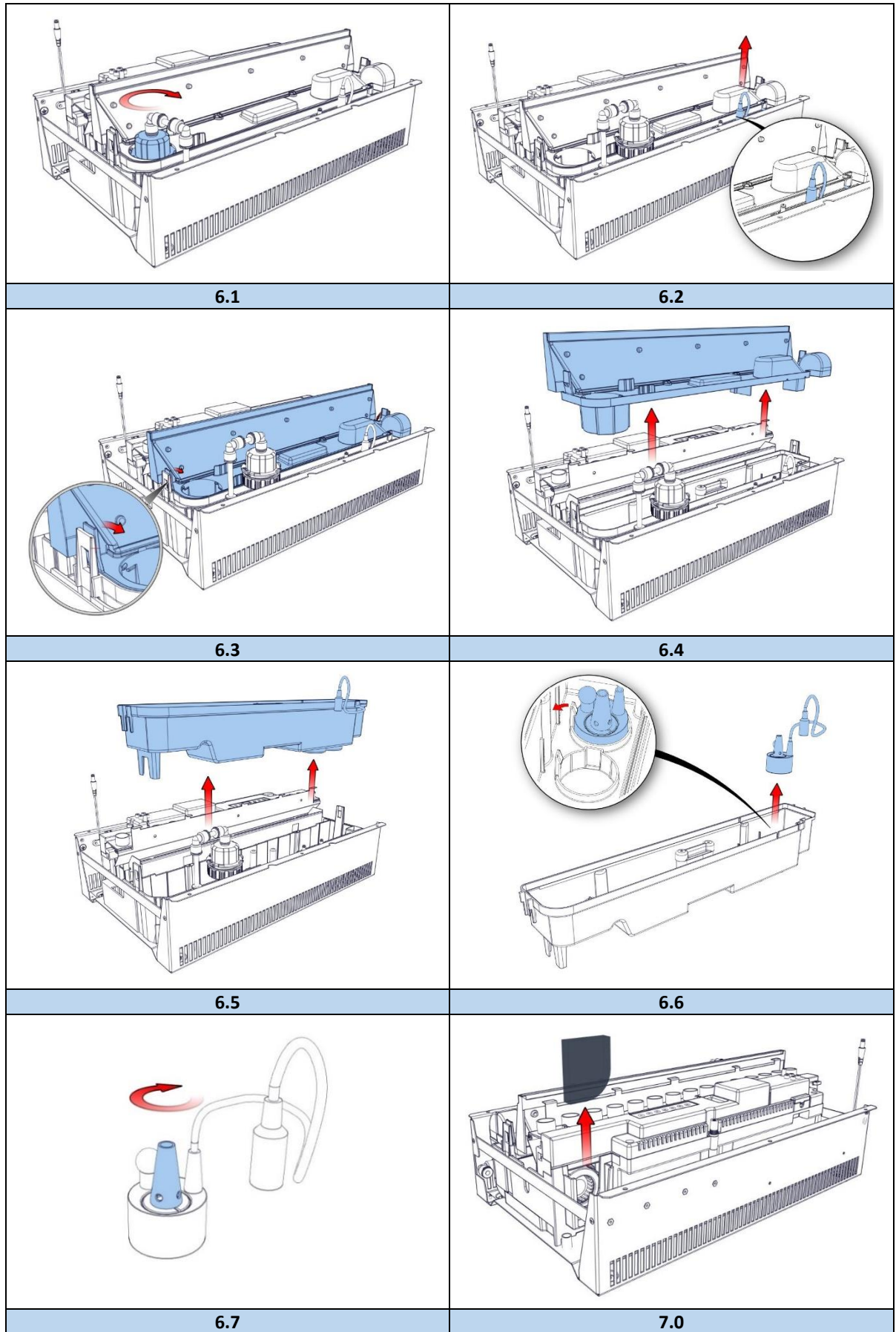
F = Mesh filter
 G = In-line (fine) filter
 H = Control box
 I = 1/4" 1.5m pipe
 J = Engine e-MatrixX

1 = Safety clip (11x)
 2 = Brackets (2x) in-line filter
 3 = Elbow coupling (4x)



3.0

			
4.0	4.1	4.2	4.3
			
5.0	5.1	5.2	5.3
			
6.0			





1 Dear user

Congratulations on your purchase of a Faber fire! A quality product from which you will experience warmth and atmosphere for many years. We recommend that you read this manual carefully before using the fireplace. If any problem arises despite our strict quality control, you can always contact your dealer or Glen Dimplex Benelux B.V.

For any warranty claims, it is essential you first register your fireplace.

➤ **Please note!**

The details of your fireplace can be found in the user manual.

You can register your fire at: www.faberfires.com

Glen Dimplex Benelux B.V.

Address: Saturnus 8

NL-8448 CC

Heerenveen

Tel: +31 (0)513 656 500

Email: contact@faberfires.com

Info: www.faberfires.com

1.1 Introduction

Only have the fire installed by a qualified installer according to the water and electric safety Regulations. Read this installation manual properly.

Where the installation instructions are not clear, national/local regulations must be followed.

1.2 Check

- Check the fire for transport damage and report any damage immediately to your supplier.
- Check whether all of the parts below are included:
 - Control box;
 - Remote (incl. batteries);
 - Decoration set;
 - Remote access door;
 - Spare transducers (2x) and sponge.

1.3 CE declaration

We hereby declare that Glen Dimplex Benelux B.V. released Faber heating appliance by its design and construction method complies with the European Safety Standards EN60335-2-30 and the European Standard Electromagnetic Compatibility (EMC) EN55014, EN60555-2 and EN60555-3 these cover the essential requirements of EEC Directives 2014/35/EU and 2014/30/EU.

Product: electric fire Opti-myst.

Model: e-Matrix 800/1600 ST

This declaration will become null and void as soon as the unit is in any way modified without written authorization of Glen Dimplex Benelux B.V.

2 Safety instructions

- Do not use outdoors.
- Do not use in the immediate surroundings of a bath, shower or swimming pool.
- The fire must be installed according to this manual.

3 Installation requirements

3.1 Water supply

- Install a water connection with an ½" or ¾" external thread connection, placed at an accessible location.
- Install an EA backflow protection valve, this is not included with the appliance.
- Water pressure on the appliance between 0,5 and 8 Bar. Where required, use a pressure reducing valve.

3.2 Power supply

Electric connection -230VAC/50Hz earthed and placed at an accessible location.

4 Preparation and installation instructions

4.1 Preparing the fire

- Make sure that all packaging materials have been removed.
- Remove the packaged parts.

4.2 Placing the fire

➤ **Please note!**

- The fitting of a chimney breast is mandatory.
- For a proper functioning of the fire, always ensure that the fire is levelled.

Floor standing

Place the fire in the correct position and fix it to the wall.



4.3 Control box (see fig. 1.3)

➤ **Please note!**

Fix the Control box at an accessible location behind the service door, see dimensional drawing 10.2 and 10.3.

Connection of the control box to the e-Matrix, see fig. 1.3:

- A = control cable, 9 pole
- B = extension cable (power supply Control box to Engine)
- C = power cord (power supply Control box)
- D = main switch on/off
- E = external water pump connection (optional)

Electrical connection

➤ **Please note!**

Connect all plugs according to the wiring diagram, see fig. 2.0.

- AA = control box
- BB = Engine
- CC = printed circuit board
- DD = power supply LED
- EE = bottom lighting (optional)
- FF = fan heating
- GG = fan extraction
- HH = external water pump (optional)

- Lead control cable A, from the Engine to the Control box and connect it, see fig. 1.3-A.
- Use the supplied extension cable B to connect the Control box to the Engine, see fig. 1.3-B.
(Max. cable length from the center of the fireplace to the left is 2,1/*3,6m.
Max. cable length from the center of the fireplace to the right is 1,75m/*3,2m).
- Connect the supplied power cord C to the Control box, see fig. 1.3-C.

*Optional cable extension kit (part number 20901478).

Water connection

➤ **Please note!**

Connect all parts according to the flow diagram. See fig. 3.0.
Place the water filters, in the correct direction of flow, in an accessible location. There is a "flow direction" mark on both filters.

Water inlet

Connect the water supply pipe to the (inlet) water connection of the control box (see dimensional drawing 10.2).

Water supply to the Engine

Connect the blue flexible pipe, which protrudes from the side of the Engine, see fig. 6.0, to the (outlet) water connection at the control box (see dimension drawing 10.2).

Assemble the flexible water pipe

Press the blue flexible pipes 15mm in a coupling piece. When mounting correctly, you feel resistance that you have to push through.

Check the connection by pulling the pipe. Secure the connection with the supplied red / or blue safety clips.

➤ **Please note!**

A watertight connection is only guaranteed with safety clips.

Disassemble the flexible water pipe

Remove the red or blue safety clip.
Push the water pipe in the coupling, hold the flange in its position and pull the water pipe out of the coupling.

This appliance is equipped with the following (overflow) protections:

- Electromechanical valve in the control box that is controlled by sensors in the water tank.
- Absorbion valve in the Engine that kicks in when the water sump has an unexpectedly overflow, see fig. 3.0-K.

4.4 LED lighting (optional)

LED bottom lighting

The bottom lighting, which is located in the bottom plate, can be switched on and off with both the remote control and the App. (See user manual). See fig. 2.0-EE and 1.2 for the position of the connection of the led bottom lighting.

Removing the bottom plate with LED lighting

➤ **Please note!**

To prevent damage / scratches, it is strongly recommended to protect the cover strip, see "A" in fig. 1.1. Should scratches nevertheless occur, this can only be repaired with spray paint (Order number: 09000026).

- Remove the decoration set;
- Lift the bottom plate in the middle and let it rest carefully at the front of the fire. See fig. 1.2.
- Loosen the plug connection, for this press the retaining clip of the plug. Now remove the bottom plate.

Install LED bottom lighting

- Lift the bottom plate in the middle and let it rest carefully at the front of the fire. See fig. 1.2.
- Insert the plug into the correct connector of the terminal block (see fig. 2.0-EE and 1.2) and carefully place the bottom plate. (Check that the cable will not block the outflow opening (fire opening) of the Engine).

4.5 Test mode

Do a performance test (see chapter 7) and check all water connections for leaks, before installing the decoration set and closing the door.

Functional test via the ITC-V2 app

(Only possible in dealer setting).

Make sure the ITC-V2 app is connected to the fire. Navigate to: *Menu -> Diagnostics / Test mode* and push "Activate", see fig. 4.0 to 4.3.

The Engine can be tested for function.

All components are also checked by a self-test in the normal starting procedure.

Any error messages are displayed in the App.

Click on the "exclamation mark" symbol at the top left of the screen for additional information about the notification.

4.6 Built-in structure and ventilation requirements

- The construction may not rest on the fire.
- Take into account the thickness of any finishing layer!
- Keep a minimum distance of 10mm between built-in frame and false chimney breast when using combustible material, see fig. 1.4.
- Take into account a minimum distance of 2mm due to expansion of the fireplace, see fig. 1.4.

Ventilation

- The e-Matrix needs a minimum free space of 50mm above the fire.

- The e-Matrix needs a minimum ventilation of 210cm² underneath the fire.

5 Glass doors

See fig. 1.1, provide service from this side.

Opening glass doors

The doors are equipped with snap locks.

- Press the door gently until a click is heard. The door is now unlocked and will be pushed open slightly;
- Open the door further by hand.

Closing glass doors

The doors are equipped with snap locks.

- Close the door and push it until you hear a click. The door is locked now.

6 Placing decoration set

➤ Please note!

To get the right glow effect, the (optional) bottom lighting must be switched on at 100% intensity.

Make sure the ITC-V2 App is connected to the fire, see fig. 5.0.

- Switch on the glow effect, see fig. 5.1.
- Click on the "flame" in the circle, see fig. 5.1.
- Click on the "settings", see fig. 5.2.
- Set "bottom lighting" to maximum, see fig. 5.3.

6.1 Log set

See the included decoration instruction card or Chapter 11:

➤ Please note!

Placing the logs is a meticulous job, this determines the flame distribution.

The outflow openings may not be completely covered.

- Divide the (mini)-chips over the bottom.
- Place the wooden logs.
- Apply the ash material. Do not let any decoration material fall into the outflow (fire) opening.

Fine tuning of the glow bed

By placing the decoration chips close together you create a real glow bed.



6.2 Pebbles/Acrylic ice

Spread an even amount of Pebbles or Acrylic-ice on the bottom plate.

7 Functional test

- See “Using the appliance for the first time” in chapter 4 of the user manual.
- Check all connections for water leaks.
- Check the operation of the extractor fan.
- Check the operation of the heating fan.
- Check the operation of the remote control at the desired distance (max. 8m).
- Check the operation of the ITC-V2 App.
- Place the decoration set, see chapter 6.
- Close the door;
- Do a final functional test.

8 Maintenance

8.1 Maintenance frequency

- Cleaning water sump, air filter and replacing the transducer.
 - Commercial use:
 - Every three months.
 - Domestic use:
 - Once a year.
- Cleaning mesh filter and replacing in-line filter.
 - Commercial use:
 - Once a year.
 - Domestic use:
 - Every second year.

➤ Please note!

The maintenance interval depends on the water quality and/or the running hours and therefore can differ from the above mentioned.

Cleaning water sump

➤ Please note!

- Always press the mains switch of the Control box to the OFF (0) position, see fig. 1.3-D and disconnect the power supply,
- Never use abrasive cleaners.

1. Open the (service)door, see chapter 5;
2. Remove the decoration set;
3. Lift the bottom plate in the middle and let it rest carefully at front of the fire. See fig. 1.2;
4. Disconnect the plug connection, pressing in the plug's locking clip to do so. Remove the base plate to gain full access to the Engine, see fig. 6.0;

5. Disconnect the “fill cap” by turning it clockwise, see fig. 6.1.
6. Disconnect the transducer cable, see fig. 6.2.
7. Release the clip on both sides and remove the nozzle, see fig. 6.3 and 6.4.
8. Without spilling any water, lift up the water sump gently and empty the water sump, see fig. 6.5.
9. The transducer is fixed in the water sump with a plastic clip. Push the clip backwards gently and remove the transducer, see fig. 6.6.
10. Put a small amount of washing up liquid into the water sump and using a soft brush to clean the sump. Also clean the transducer, including the disc underneath the cone. Remove the cone by turning it clockwise, see fig. 6.7.
11. When cleaned, thoroughly rinse the water sump with clean water to remove all traces of washing up liquid.
12. Clean the nozzle (fig. 6.4) with a soft brush and flush out thoroughly with water.

Reverse the steps above to reassemble.

Cleaning air filter

1. Gently slide the air filter upwards out of its plastic holder, see fig. 7.0.
2. Gently rinse with water in the sink and dry with fabric towel before returning.
3. Replace the air filter.
4. Place the decoration set, see chapter 6.
5. Close the door.

Replacing the transducer

➤ Please note!

Press the mains switch of the Control box to the “OFF” (0) position, see fig. 1.3-D and disconnect the power supply.

1. Follow the first 9 steps in section “Cleaning water sump” in chapter 8.1 to gain access and remove the transducer.
2. Place the new transducer and repeat the steps above in reverse order. (Please take note that the transducer cable will not block the opening of the cone).

Cleaning mesh filter

1. Turn off the water supply.
2. Close the ball valves.
3. Unscrew the base and clean the filter inside.

Replacing in-line filter

1. Turn off the water supply.
2. Close the ball valves.
3. Replace the filter. Note the flow direction mark on the filter!

8.2 Resetting absorbtion valve

When the absorbtion valve (fig. 3.0-K) is activated, the sponge need to be replaced. The absorbtion valve is located on the right front at the bottom of the Engine.

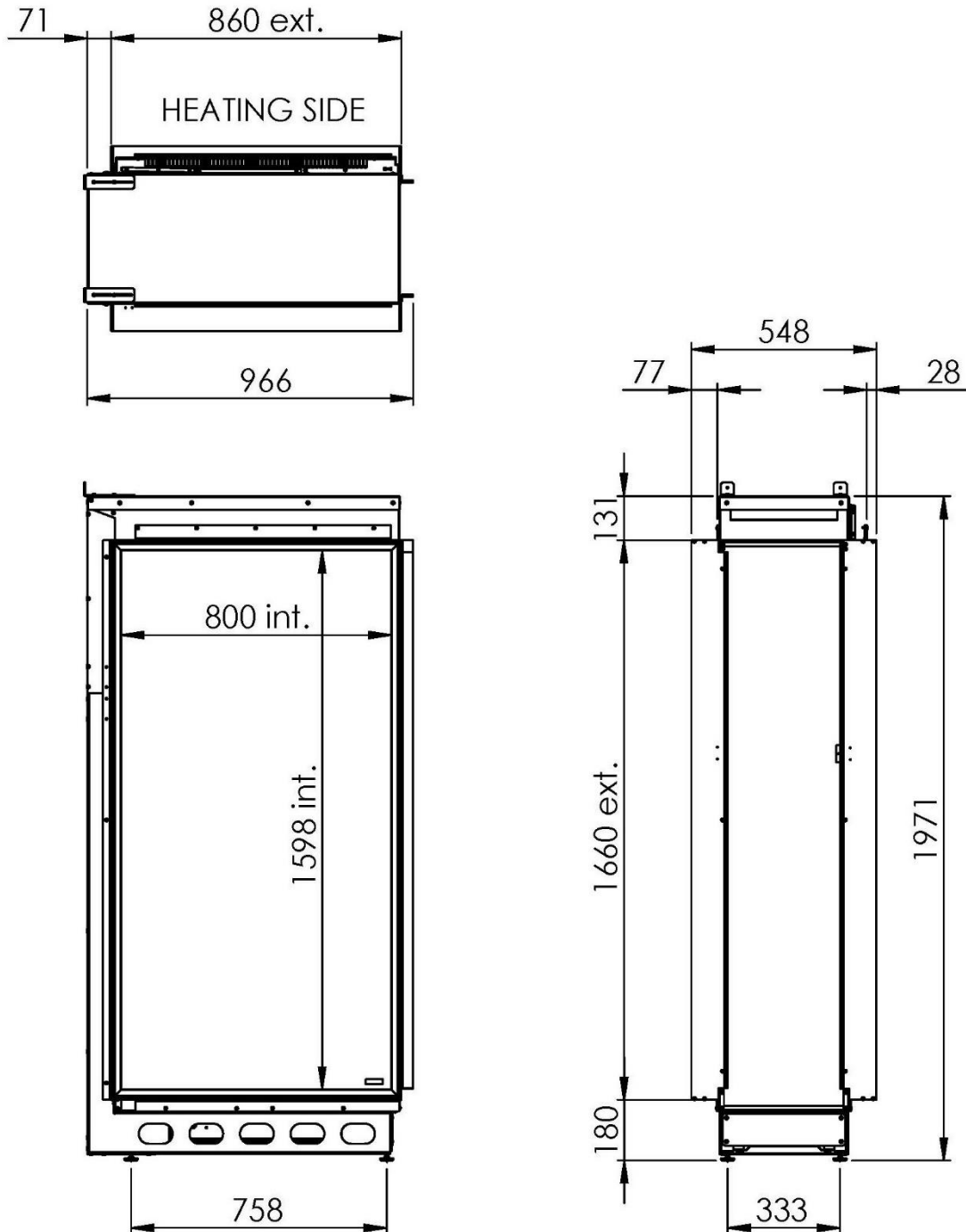
1. Take out the sponge.
2. Fix the cause of the water leakage and remove any water at the bottom of the Engine.
3. Place the new sponge and open the absorbtion valve by pressing down the white clamp.

9 Technical data

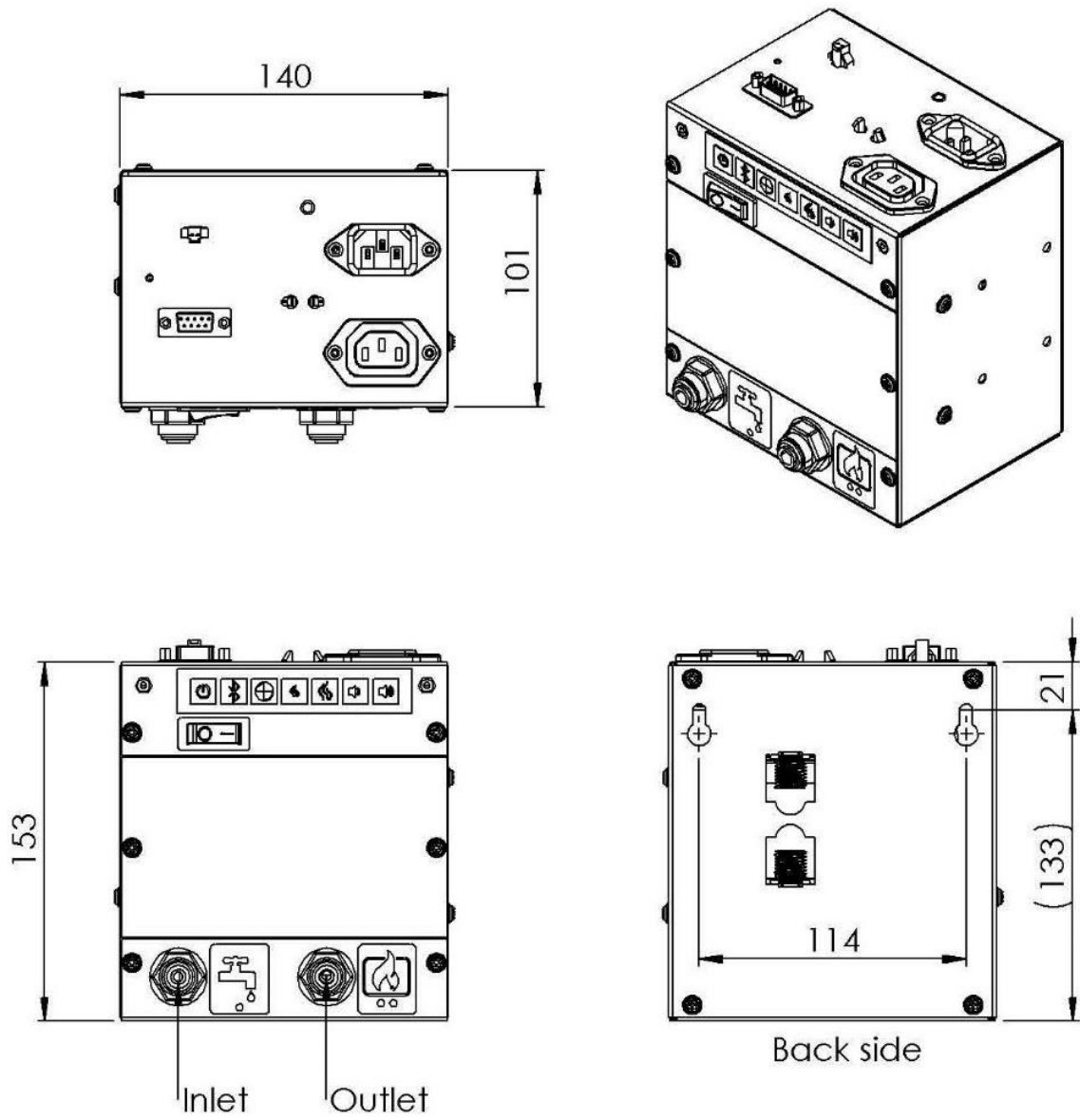
		230 V	240 V
Input Figures	Full Heat	1955 W	2129 W
	Half Heat	1109 W	1208 W
	Flame only	232 W	253 W
	Standby	21 W	23 W
	Batteries remote	(2x) 1,5 AA V	
	Water consumption	0,15 L/h	
	Inlet water pressure	0,5-8 Bar	
	Water connection	½ or ¾ Inch	

10 Dimensional drawings

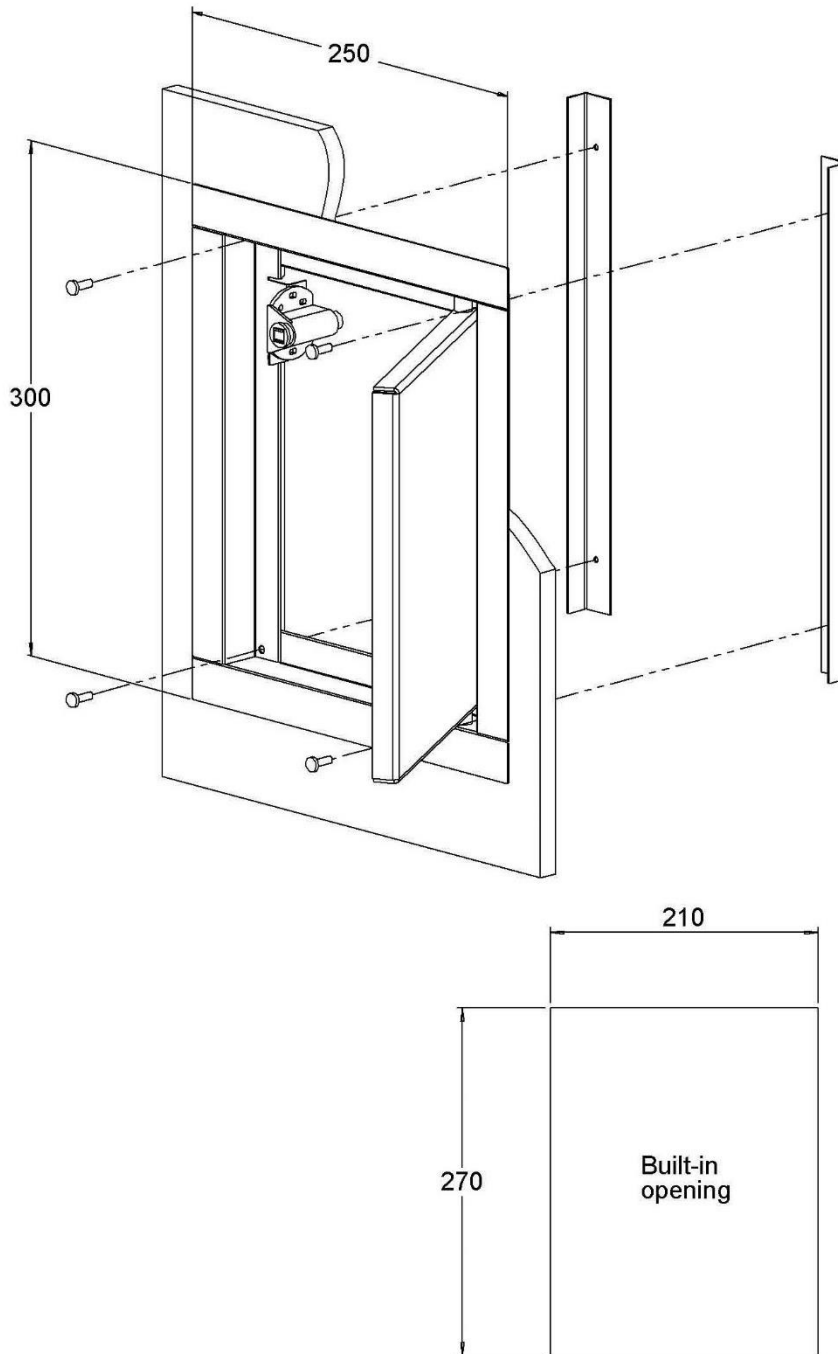
10.1 e-Matrix 800/1600 ST



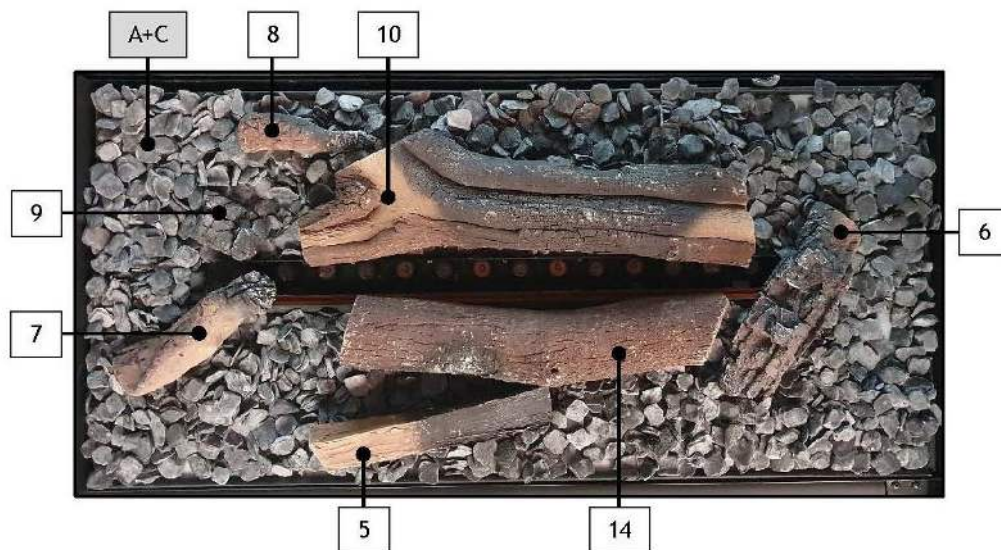
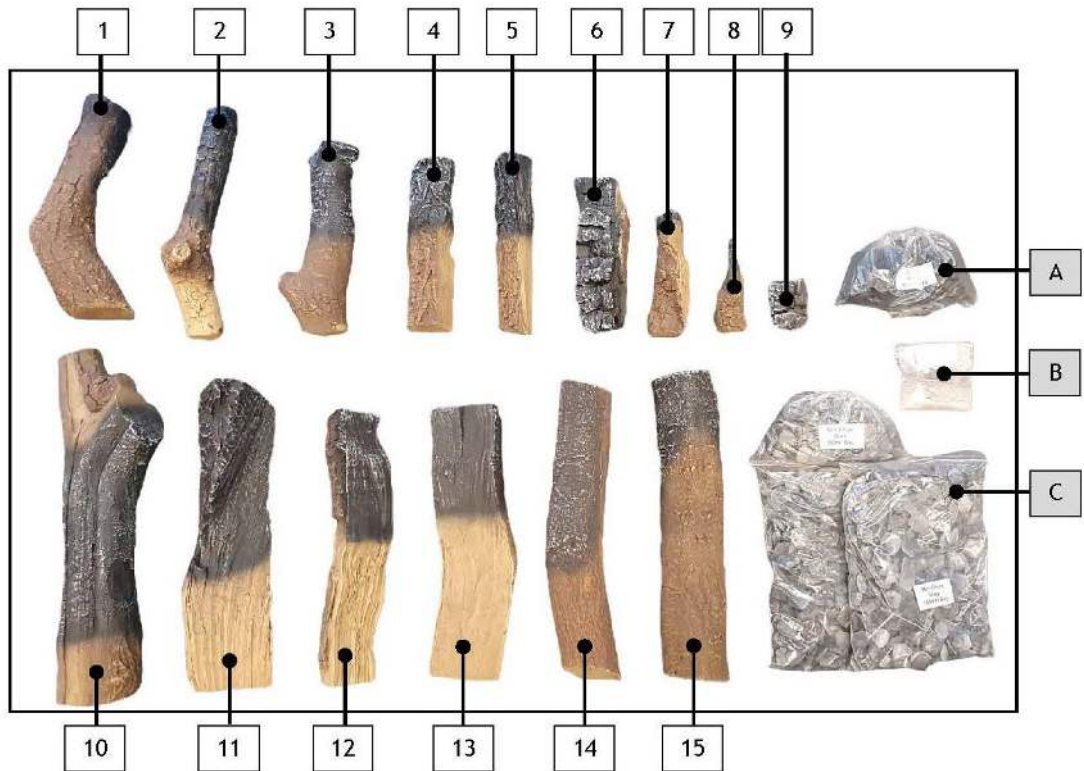
10.2 Control box

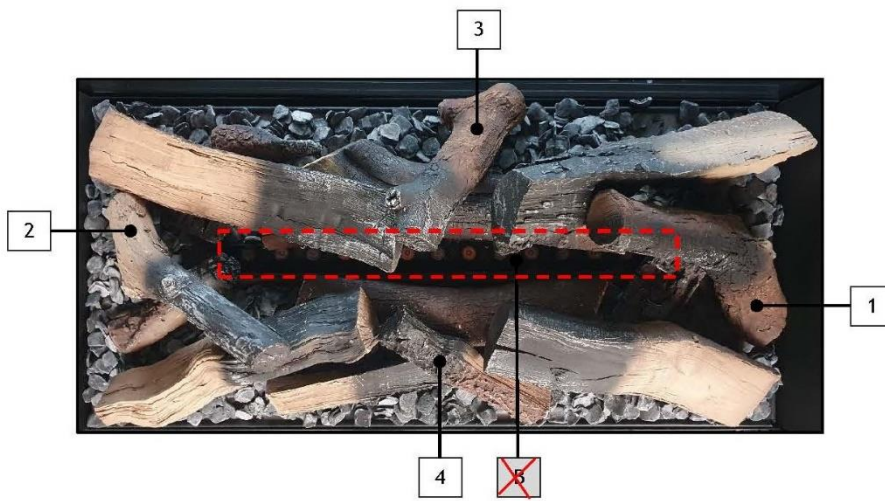


10.3 Remote access door (article number 20879500)



11 Decoration instruction card





Pebbles



Acrylic ice







www.faberfires.com

Saturnus 8

Postbus 219

contact@faberfires.com

NL 8448 CC Heerenveen

NL 8440 AE Heerenveen