



GLOW FIRE

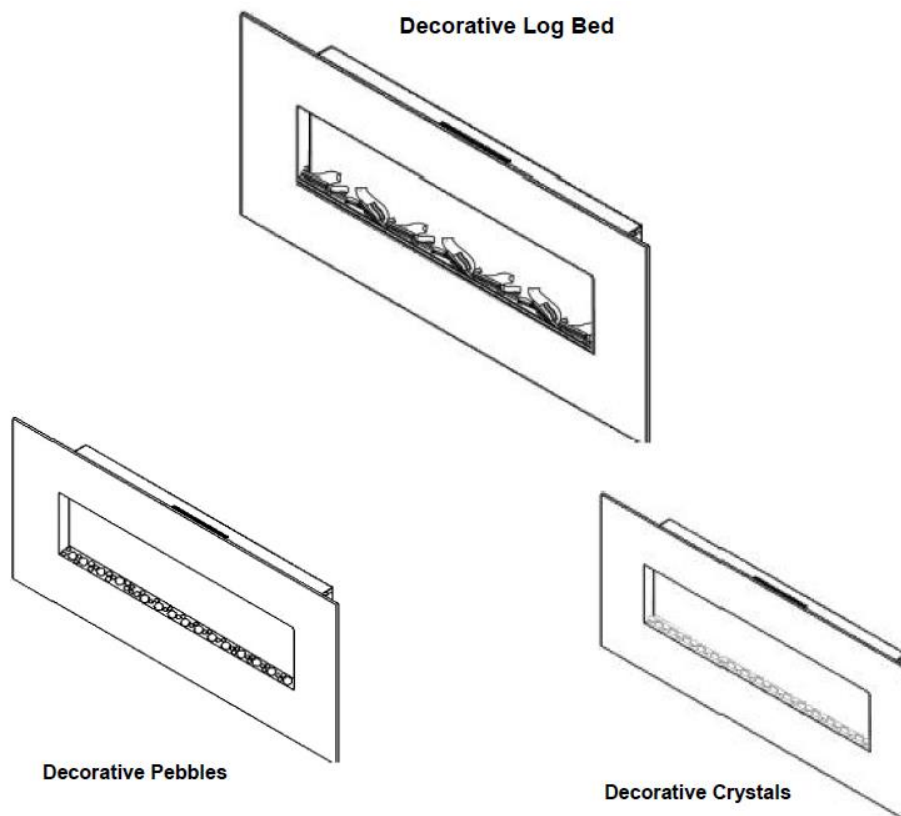
Fireplace User Guide & Safety Instructions for electric LED Fireplaces

Table of contents

Language	Titel	Page
EN	Fireplace User Guide & Safety Instructions for electric LED Fireplaces	2
DE	Kamin Benutzerhandbuch & Sicherheitshinweise für LED-Elektrokamine	13
FR	Guide d'utilisation et instructions de sécurité pour les foyers au bioéthanol	24
IT	Guida per l'utente del camino e istruzioni di sicurezza per i caminetti a LED elettrici	35
PG	Guia do usuário da lareira e instruções de segurança para lareiras elétricas com LED	46
ES	Guía del usuario de la chimenea e instrucciones de seguridad para chimeneas LED eléctricas	57
PL	Instrukcja obsługi kominka i instrukcje bezpieczeństwa dotyczące elektrycznych kominków LED	68
NL	Open haard Gebruikershandleiding en veiligheidsinstructies voor elektrische LED-haarden	79
DK	Pejs Brugervejledning og sikkerhedsinstruktioner til elektriske LED-pejse	90

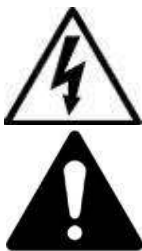
Operation manual

Electric fireplace: Neptun, Pluto, Mars, Venus, Mars XL, Saturn



Power: 220-240 V AC, 50 Hz

Maximum heat output: 1.400 -1600 Watt



Use this electric fireplace only as described in this manual. Any other use is not recommended by the manufacturer and may result in fire, electric shock, or other injury.

WARNING! Read and understand this entire instruction manual, including all safety information, before inserting or using this product.

Keep this instruction manual for future reference. If you are selling or submitting this product, make sure that this manual is included with this product.

INSTALLATION AND IMPORTANT NOTES:

- Remove all packaging materials. Check that all necessary parts are present; if parts are damaged or missing, contact your specialist dealer.
- Before using for the first time, check whether the mains voltage corresponds to the information on the nameplate.
- The device must not be used in potentially explosive areas, where materials such as fuel, thinner, paints and varnishes are stored.
- Attention: To avoid overheating, the heating must not be covered.
- Do not place this electric fireplace directly on carpets or other similar floor coverings. This is to avoid possible discoloration from the heat.
- Do not use this heater in the immediate vicinity of a bathtub, shower or swimming pool.
- Do not operate the power plug with wet or damp hands.
- Always pull the plug before cleaning and when the device is not in operation.
- Do not connect the device to a damaged socket.
- Do not place any objects inside the device and prevent foreign objects from entering the device. This can result in electric shock, fire or damage to the heater.
- Do not move the device during operation.
- If the power cord is damaged, it must be replaced by the manufacturer, its customer service or a similarly qualified person in order to avoid a hazard.
- This device is intended for use in households and similar applications
- This heater is not suitable for installation in vehicles and machines.
- **WARNING:** This heater is not equipped with a room temperature control device. Do not use this heater in small rooms if it is occupied by people who are unable to leave the room alone, unless permanent supervision is provided.

OPREPARATION

- Remove all parts and hardware from the box and place them on a clean, soft and dry surface.





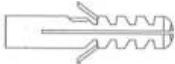






This product contains a GLASS plate! Always exercise extreme caution when handling. Otherwise, injury or property damage may result.

- Compare the content with the parts list to ensure that nothing is missing.
- Dispose of all packaging materials properly.
- Please recycle whenever possible.

ASSEMBLY TOOLS

- Phillips screwdriver, electric drill; 1/4 "wood drill, hammer. Spirit level (not included)

PARTS AND HARDWARE

 <p>A – Fireplace (1)</p>	 <p>B – Screw (5)</p>	 <p>C – Dowel (5)</p>
	 <p>D – Screw (2)</p>	 <p>RC – Remote control (1)</p>
 <p>E – Rail for wall mounting (1)</p>		 <p>I – Plate</p>
 <p>F - Decoration (1)</p>	 <p>G - Decoration (1)</p>	

ASSEMBLY INSTRUCTIONS



Always make sure that the device is disconnected from the socket before starting installation! NEVER move or clean the fireplace or change the lightstripes while the plug is inserted.

STEP 1:

Find a safe location. If you want to use the wall fireplace's heating function, keep a safe distance to the side, top and bottom of flammable and heat-sensitive objects

Body recommendation on each side: 19.7 "(50 cm).

Recommendation from the body down: 19.7 "(50 cm).

Recommendation from the body up: 27.5 "(70 cm).

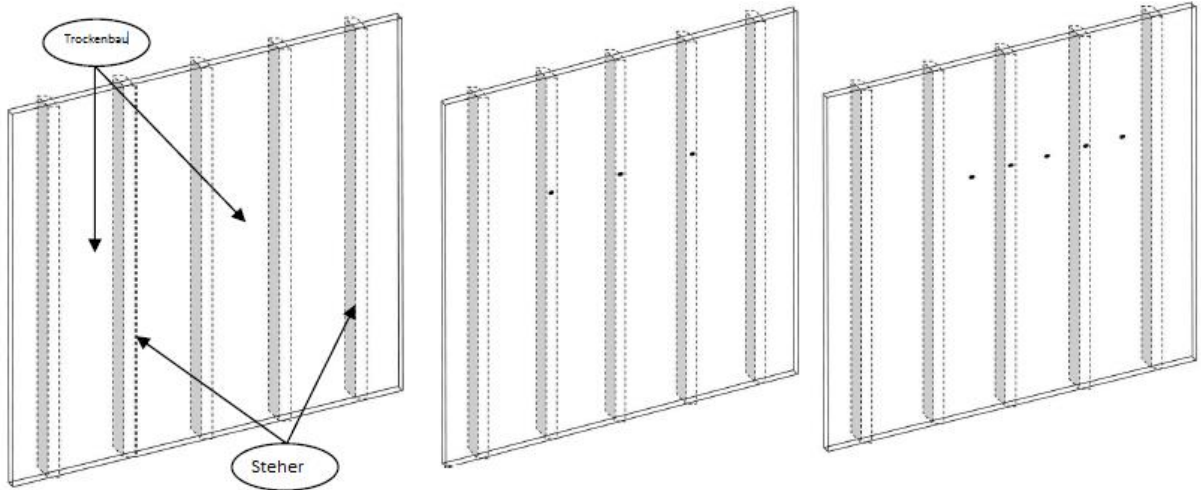
If you do not use the fireplace's additional heating function, you do not need to keep any safety distances!

Important NOTE:

If you install the fireplace in the wall, you can use the decorative flame effect, but not the heating function of the fireplace. In addition, the fireplace can then only be used via the remote control (not via the control panel on the body).

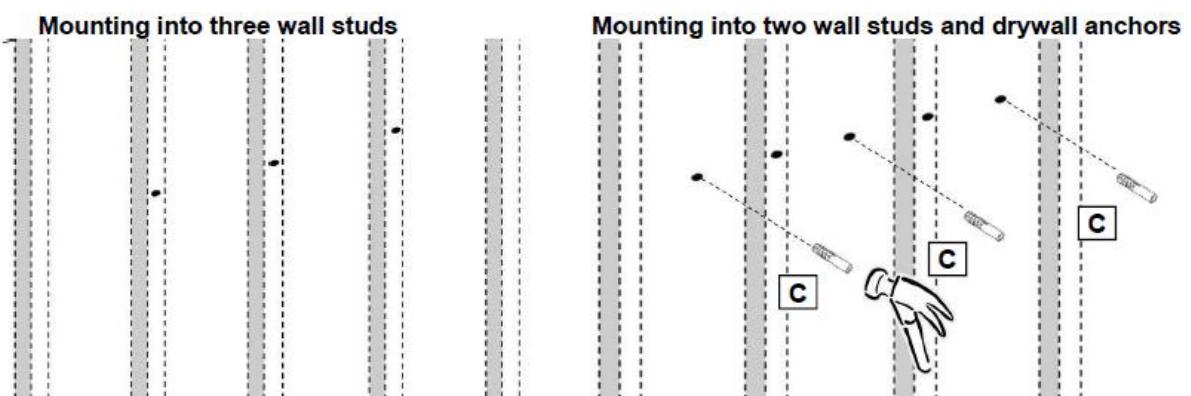
Choose a location near an electrical outlet, an extension cord is not required.

Info The wall fastening elements contained in this chimney are only to be used for installation on drywall. For concrete walls or other wall types, consult a specialist for the best fastening methods.



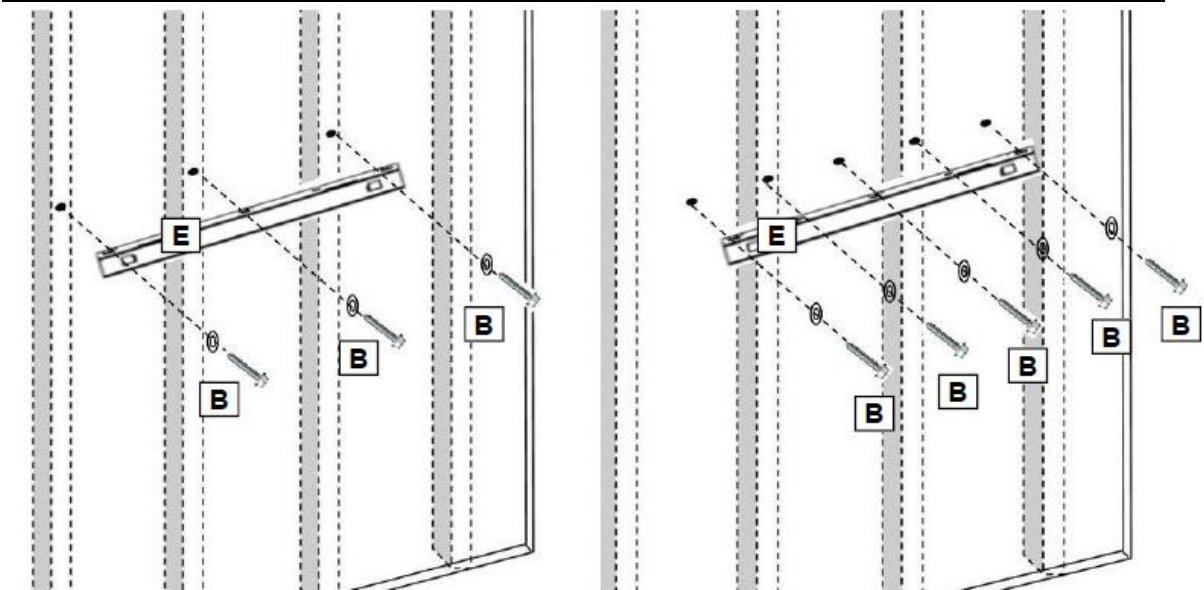
STEP 2:

- A: Find the wall studs (uprights). Mark the drill holes with a pencil. The holes should be 8 "(20.3 cm) apart and height. The minimum height from the bottom surface must be 19.7" (50 cm).
- B: Three screws should be screwed directly into the wall screws.
- C: If there are only two bolts, two screws must be screwed together. Directly into the bolts, and the other screws must be screwed into the drywall plugs.



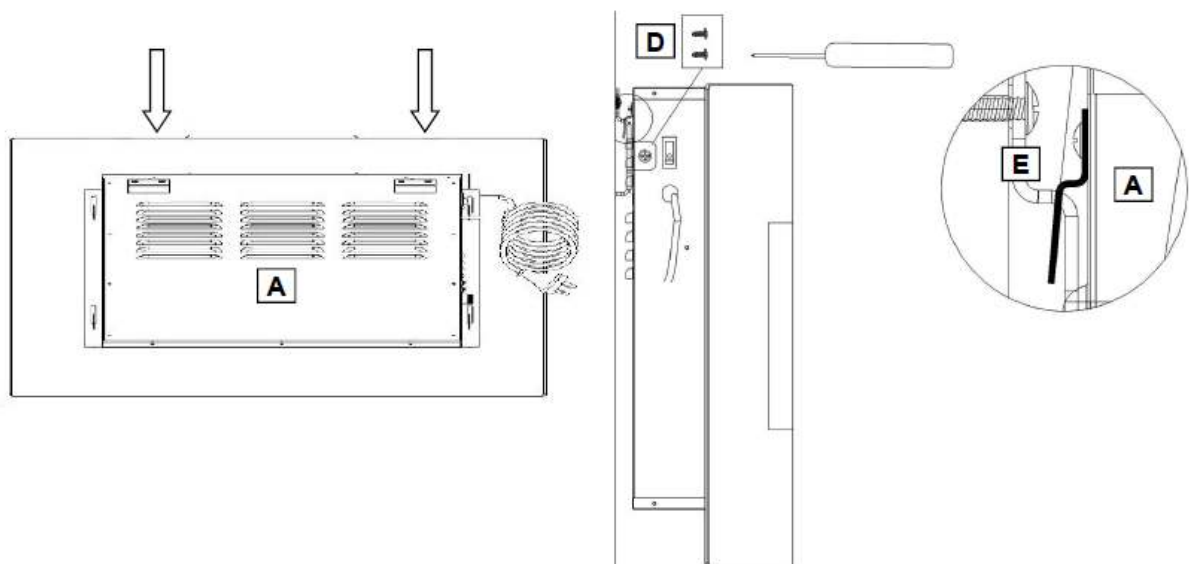
STEP 3:

- A: Drill a hole in each mark with a 1/4 "wood drill.
- B: Carefully tap the drywall plug (C) into the drywall until it is flush with the drywall surface. Be careful to avoid damage.



STEP 4:

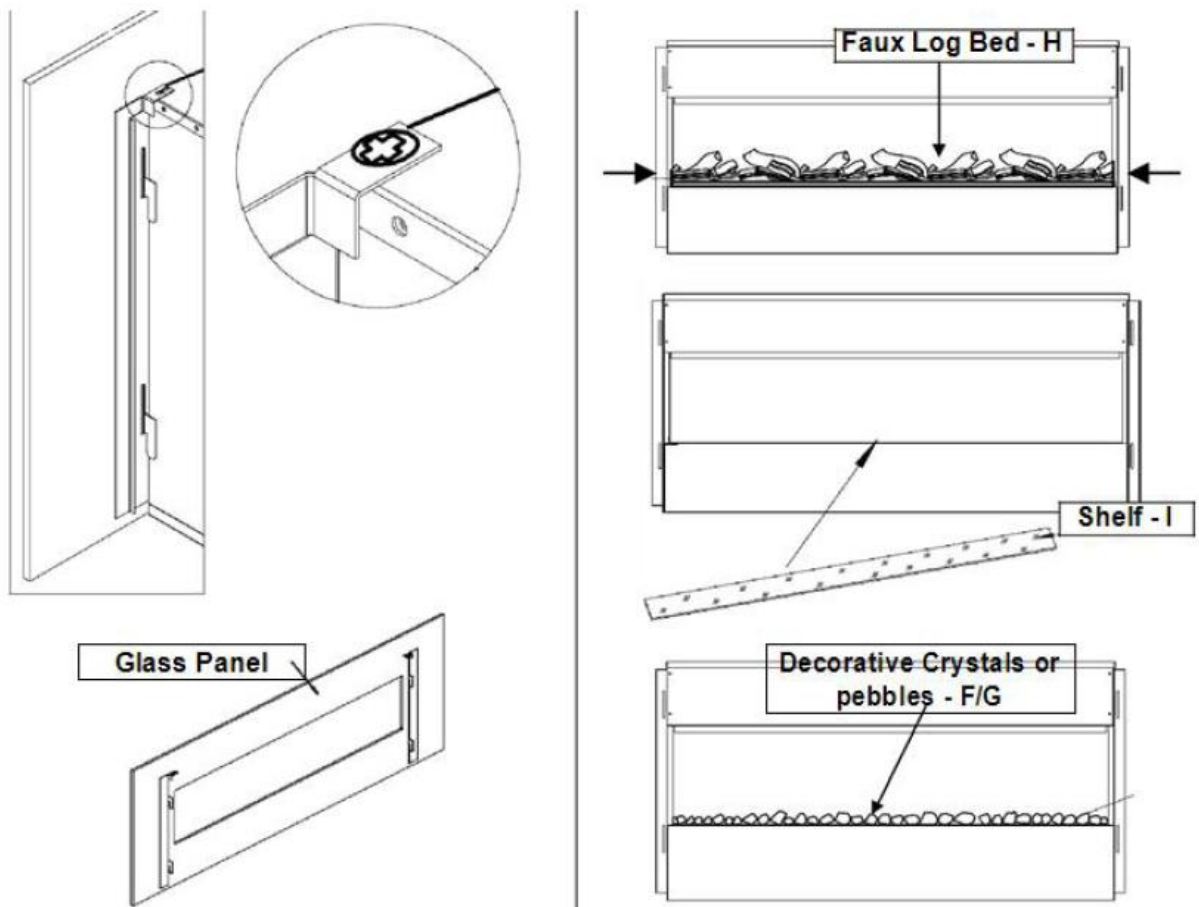
Align the holes in the wall bracket (E) with the guide holes and drywall plugs. Wood screws (B) through washers and holes in the wall bracket, then directly into the drywall plugs. Make sure the bracket is level. Tighten all screws with a screwdriver.



STEP 5:

A: Lift up the fireplace (A) and align the hooks on the back. Carefully insert the hooks into the slots.

B: Attach the fireplace to the wall bracket with two M4x8 metal screws (D), one on each side. Insert the screws through the chimney and into the side bracket wall bracket. Tighten both screws with a Phillips screwdriver. The device can now be plugged in.



STEP 6

- A: While a person is holding the glass plate, remove the two screws on the top edge of the fireplace with a screwdriver.
- B: Carefully remove the front screen and place it on a clean, soft surface.
- C: Remove the two wood screws and lift out the decoration set.
- D: Place the plate (I) on the ledge in the opening on the front of the fireplace.
- E: Arrange the decorative crystals or pebbles (F / G) on the plate in the desired position.
- Q: Put the windscreen back on the firebox.
- G: Align the tabs on the glass plate with the holes on the top of the fireplace. Insert the screws back into the holes and tighten both with a screwdriver.

Power: Make sure that the ON / OFF switch on the left is in the OFF position. Connect the device to an electrical outlet (see IMPORTANT SAFETY INSTRUCTIONS on page 2). Make sure that the outlet is in good condition and that the plug is not loose.

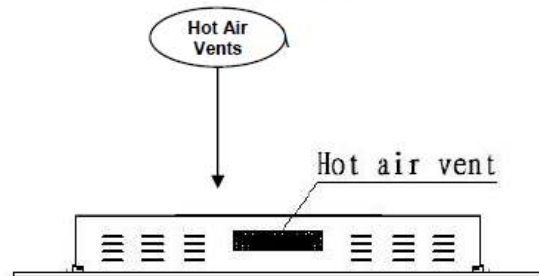
NEVER exceed the maximum current for the circuit. Do not connect other devices to the same circuit.

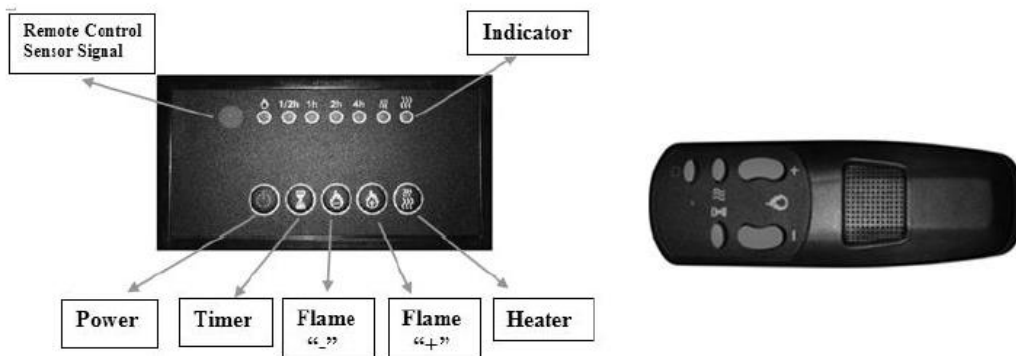
Way of working: This electric fireplace can be operated from the CONTROL PANEL, which is located on the right, or with the supplied remote control. The operation and functions of the two methods are the same. Please read the IMPORTANT SAFETY INSTRUCTIONS on pages 2 and 3 before operation.






Front View



Top View





Button	ACTION / FUNCTION	RESULT
 POWER	<p>ON: Enables the panel functions and Remote control. Turns on the flame effect.</p> <p>OFF: Disables the function key functions and Remote control. Turns off the flame effect.</p>	<p>1. Press once. The indicator light comes on. The device turns on. All functions are activated.</p> <p>2. Press again. The flame effect is switched off. Power and all functions switched off.</p>
 TIMER	<p>TIMER button: Setting the automatic switch-off time of the fireplace. The settings range from 0.5 hours to 7.5 hours. The switch-off time is extended by 30 minutes each time the button is pressed.</p>	<p>1. Press once. The indicator light comes on. The timer is set to 0.5 hours.</p> <p>2. Press again until the desired setting is set reached. The indicator lights show the setting.</p>
 FLAME -	<p>FLAME "-": Makes the flame effect weaker.</p> <p>NOTE: The flame effect remains on There must be a flame effect to be able to switch on the heating.</p>	<p>1. Press once. The flame effect becomes weaker.</p> <p>2. Press again until the desired setting is reached.</p>
 FLAME +	<p>FLAME "+": Brightens the flame effect.</p> <p>NOTE: The flame effect remains on There must be a flame effect to be able to switch on the heating.</p>	<p>1. Press once. Flame becomes lighter.</p> <p>2. Press again until the desired setting is reached.</p>
 HEATER	<p>HEATER button: switches the heating on and off.</p> <p>NOTE: The heating only works if the Flame effect is switched on. If the flame effect is turned off, The heating element does not switch on.</p> <p>NOTE: Use the heater to avoid overheating. It blows cool air for 10 seconds before it starts to heat.</p>	<p>1. Press once. The indicator lights up. Fan blows cool air for 10 seconds. Low Heating level switches on and blows warm air.</p> <p>2. Press again. The indicator lights up. High heating level turns on and blows hot air.</p> <p>3. Press again. Heating switches off. The fan briefly blows cool air and then switches off.</p>

Info When the heat function is used for the first time, there may be a slight smell. This is normal and should not be repeated if the heater is used normally afterwards.

Temperature limitation

This heater is equipped with a temperature limit control. When the heater reaches an unsafe temperature, the heater turns off automatically.

Reset to default:



1. Unplug the power cord from the wall outlet.
2. Set the ON / OFF switch on the CONTROL PANEL to OFF.
3. Wait 5 minutes.
4. Check the chimney to make sure no vents are blocked or clogged. If they are, use a vacuum to clean the vents.
5. With the POWER switch turned off, plug the power cord back into the wall outlet.
6. If the problem persists, have the outlet checked by a specialist.

Remote control: battery information

This remote control uses two AAA batteries (not included).

Instructions for battery installation are located on the battery compartment of the remote control.

Care and Maintenance

	ALWAYS turn off the fireplace and unplug the power cord before cleaning, changing light bulbs, or moving the electric fireplace. Otherwise there is a risk of electric shock, fire or injury.
	Never immerse in water or rinse with water. Otherwise there is a risk of electric shock, fire or injury.

Cleaning

Metal:

- Use a **soft**, slightly damp cloth
- Never use brass polish or household cleaners as they damage the metal.

Glass:

- Use glass cleaner and dry carefully with a paper towel or a lint-free cloth.
- Do not use abrasives or cleaning agents that could damage the surface

Plastic:

- Use glass cleaner and dry carefully with a paper towel or a lint-free cloth.
- Do not use abrasives or cleaning agents that could damage the surface

Vents

- Use a vacuum cleaner or duster to remove dust and dirt from the heater and ventilation areas.
- Clean the outside of the wall-mounted fireplace with a slightly damp cloth or duster.

Maintenance:



Risk of electric shock! DO NOT OPEN the housing! It does not contain any parts that can be serviced by the user!

Electrical and moving parts:

- Fans and motors are lubricated at the factory and no longer require oil.
- With the exception of incandescent lamps, all electrical parts and components are integrated in the electric fireplace and do not require maintenance by the consumer.

Storage:

- Store the fireplace in a clean, dry place when not in use.



You can help protect the environment!

Please remember to respect the local regulations: hand in the non-working electrical equipments to an appropriate waste disposal centre.