



OPERATING INSTRUCTION MANUAL

Vivente Landscape Electric Fire

Models: VVT75, VVT100, VVT150



EN: This product is only suitable for well insulated rooms or occasional use. FR : Ce foyer ne peut être utilisé que dans des pièces bien aérées ou ne peut être utilisé qu'occasionnellement. DE: Dieses Produkt ist nur für gut isolierte Räume oder gelegentlichen Gebrauch geeignet. IT: Questo prodotto è idoneo soltanto per stanze ben coibentate e per un uso occasionale. ES: este producto solo es adecuado para espacios bien aislados o para uso ocasional. PT: Este produto só é adequado para espaços devidamente isolados ou para utilização ocasional. NL: Dit product is enkel geschikt voor goed geventileerde kamers of voor occasioneel gebruik. PL: Produkt ten jest odpowiedni wyłącznie do dobrze odizolowanych miejsc lub do okazjonalnego użytku. NO: Dette produktet egner seg kun for godt isolerte rom eller sporadisk bruk. DK: Dette produkt er udelukkende egnet til velisolerede rum eller lejlighedsvis brug. TR: Bu ürün yalnızca iyi yalıtılmış odalar veya ara sıra kullanım için uygundur.

 The product complies with the European Safety Standards and the European Standard Electromagnetic Compatibility (EMC) These cover the essential requirements of EEC Directives

CAUTION: Please read this information guide carefully to be able to safely install, use and maintain your product.

Important Safety Advice

When using electrical appliances, basic precautions should always be followed to reduce the risk of fire, electrical shock and injury to persons, including the following:

If the appliance is damaged, check with the supplier before installation and operation.

- Do not use outdoors.
- Do not use in the immediate surroundings of a bath, shower or swimming pool.
- Do not locate the appliance immediately below a fixed socket outlet or connection box.
- Do not use this heater if it has been dropped.
- Do not use if there are visible signs of damage to the heater.
- Use this heater on a horizontal and stable surface.

Children of less than 3 years should be kept away unless continuously supervised.

Children aged from 3 years and less than 8 years shall only switch on/off the appliance provided that it has been placed or installed in its intended normal operating position and they have been given supervision or instruction concerning use of the appliance in a safe way and understand the hazards involved. Children aged from 3 years and less than 8 years shall not plug in, regulate and clean the appliance or perform user maintenance.

CAUTION: Some parts of this product can become very hot and cause burns. Particular attention has to be given where children and vulnerable people are present.

Do not use this appliance in series with a thermal control, a program controller, a timer or any other device that switches on the heat automatically, since a fire risk exists when the heater is accidentally covered or displaced.

Ensure that furniture, curtains or other combustible material are positioned no closer than 1 meter from the appliance.

In the event of a fault disconnect the appliance.

Disconnect the appliance when not required for long periods.

The appliance must be positioned so that the plug is accessible. Electrical Requirements section for more details. If the supply cord is damaged it must be replaced by the manufacturer or service agent or a similarly qualified person in order to avoid a hazard.


Keep the supply cord away from the front of the appliance.

Warning: This appliance must be earthed.

The use of an extension lead or multi-plug adaptor is not advised when connecting this product to the mains. Connection through these devices could lead to a risk of overloading, overheating and even fire at the extension lead or adaptor due to inadequate connection quality.

This heater must be used on an alternating current supply (~) only and the voltage marked on the heater must correspond to the supply voltage.

WARNING: In order to avoid overheating, do not cover the appliance. Do not place material or garments on the appliance, or obstruct the air circulation around the appliance.

The appliance carries a DO NOT COVER warning symbol. 

This appliance is equipped with a device to control the room temperature. Do not use this appliance in small rooms when they are occupied by persons not capable of leaving the room on their own, unless constant supervision is provided.

Dimplex Vivente Electric Fire

Models: VVT75, VVT100, VVT150

Thank you for choosing a Dimplex electric fire.

General Information

⚠ CAUTION: Ensure installation does not allow fireplace to be in direct contact with building vapour barrier or insulation and meets all local building code.

⚠ WARNING: To reduce the risk of fire, do not store or use gasoline or other flammable vapors or liquids in the vicinity of the heater.

1. Select a location that is not susceptible to moisture and is away from drapes, furniture and high traffic.

2. Unpack the fireplace and accessories from the box.

! NOTE: Leave the front glass and partially reflective glass, safely, in the box until ready for installation.

3. Store the fireplace in a safe, dry and dust free location until it is ready to be installed.

This electric fire is designed to be installed into a solid construction – such as an existing chimney breast or plaster board construction. The installation of this product should be carried out by a qualified professional.

There are several options for displaying the fire, including:

- Choice of background panel
- One, Two or Three-sided installation
- Materials to be placed onto the fuel bed

Please follow these instructions to assist you in the installation and operation of this product.

Technical Information

Heat Output		230V	240V	
Nominal Heat Output	P_{Nom}	1.4	1.5	kW
Minimum Heat Output	P_{min}	1.3	1.4	kW
Maximum Continuous Heat Output	P_{max}	1.4	1.5	kW
Auxiliary Electricity Consumption				
In Standby Mode	eI_{SB}	0.49	0.49	W

with electronic room temperature control.

Installation Instructions

Step 1: Choosing Installation Type

The Vivente can be configured in 4 different ways:

- Single-sided – Front glass only (see Fig 1a)
- Two-sided Right (see Fig 1b)
- Two-sided Left (see Fig 1c)
- Three-sided (see Fig 1d).

The Vivente is supplied as a Three-sided configuration.

Please follow the steps below to adjust to your desired arrangement.

1. Remove front bottom trim on unit. See Fig. 2
2. On the desired side you wish to cover, remove side glass trim which is held in place by four screws. Attach side panel in place of the side trim using the same four screws See Fig. 3A & 3B
3. For Front Glass Only setup, repeat Step 2 on the opposite side of product.
4. Assemble the appropriate front Trim to the product. (Three different trims are provided with the product to facilitate the various setup options.) See Fig. 2

Step 2: Choosing Back Panel

The Vivente comes with two back panels, offering four different finishes.

The product is provided with one back panel in the unit. If you wish to change this to another back panel design, it is advised to do so before installing the product. It is possible to fit the back panel after the product has been installed, but it takes significantly longer and should only be done by a qualified professional.

All panel finishes provided contain a decorative finish, which complements the flame effect. If so desired, these back panels can be painted with alternative colours.

The plain panel can also be painted or decorated with wallpaper to create a unique panel, please follow the instructions on your selected paint or wallpaper adhesive, for bonding on top of the painted MDF panel.

Please take care not to scratch these panels while storing or fitting them.

Fitting Panel – Before Installation (Recommended)

1. Remove side bracket as displayed on Fig. 4
2. The side bracket can be used to take out the back panel. Insert the bottom part of the side bracket into the Back Panel notch, and slide out the back panel (Fig.5).
3. Place the desired back panel into position and reassemble side bracket using two screws.

Fitting panel – After Installation

The Back Panel can also be change after the product has been installed, a person of suitable competency is required to carry out this task. Please follow the steps below.

1. Unplug product from Power Supply and remove front trim on unit. See Fig. 2
2. Remove Front Glass from product and store in a safe place. (A suction cup is provided to help remove/place the front glass.) See Fig. 6
3. Remove Fuelbed fixing screws, then remove Fuelbed. (Fig. 7)
4. Remove both Side Glasses by moving them out at the bottom, then sliding out to remove. Store these in a safe place. (Fig. 8).
5. Remove plastic Inner Screen by tilting it from the base. (Fig.9)
6. Remove Back Inner Panel bracket (Fig. 10A), Inner Back panel can then be tilted and removed from its housing. (Fig. 10B)
7. Replace with new Back Inner Panel, and reverse the steps set out above, to re-assemble the product. Ensure Inner screen is reassembled correctly. (Smooth mirrored finish to face the front of the product.)

Step 3: Installing the Product

CAUTION: Two people will be required for various steps of this procedure.

This product is designed to be installed into existing block wall or a custom-built studded wall structure. Please consult a competent installer before undertaking this to ensure a safe and secure installation. If installing into an existing chimney or flue, please ensure that the chimney or flue is blocked off. This is to prevent up-draughts affecting product operation.

Electrical Requirements

NOTE: A dedicated, properly fused 13 Amp circuit is required, rated for the appropriate voltage (230-240V). An isolation switch should also be incorporated in cases where the product plug is inaccessible after installation.

WARNING: Construction and wiring must comply with local building codes and other applicable regulations to reduce the risk of fire, electric shock and injury to persons.

WARNING: To reduce the risk of fire, electric shock or injury to persons, always use a licensed electrician.

1. Using the product dimensions (Fig. 11), build a suitable structure for the product to fit into. Ensure that, when installed, the product is within 1m of a power outlet. Please refer to Electrical Requirements section above for more details.

It is recommended that the base of the unit is installed between 200mm and 800mm from the floor. This is to maintain an optimised viewing angle of the fire effect. (See Fig. 12)

The product must not bear the weight of the finished wall located above it. Consider the use of a lintel for appropriate support.

2. Using any combination of the three fixing methods (Fig. 13 a,b,c), fix the product to its supporting structure.

3. Build the finished wall up against the appliance using the glass trims as a guide. The finished wall should be built in a way that allows the power supply to be accessible after installation.

It is recommended to leave 150mm of clearance area directly above the product for ventilation purposes. (Fig. 12) This clearance area can be located behind the finished wall surface.

The product should not be sealed in place with silicone or adhesive as this can restrict airflow.

Step 4: Fuelbed Assembly

A range of fuel bed material has been provided for you to choose your desired look.

A set of high-quality ceramic logs enhance the effect of this fire. Please take great care when handling these logs to ensure they do not get dropped or rub against each other, as they are easily marked. The following fuel bed media is included

- Ceramic Logs
- Ash Dust
- Crystal pieces

We have taken great care to create what we feel is the most authentic fuel bed, please follow the steps below for more information. Please note: A mix and match of fuelbed media can also be done to create unique fuel bed assembly.

1. Remove front trim on unit. (Fig. 2)
2. Remove Front Glass from product and store in a safe place. (A suction cup is provided to help remove/place the front glass.) (Fig. 6)
3. For a contemporary setup (Fig. 14), place crystals on fuel bed, covering the top surface of the fuel bed. These will provide a glowing embers effect, when the flame effect is operating.
4. For a traditional look, arrange the logs on top of the fuel bed, to your preference. Please follow the steps at the end of this document which provide a visual representation for log arrangement. Ash dust is also supplied for this setup. Sprinkle this across the fuel bed to produce a realistic log burning effect.
5. Reverse steps 1 and 2 to re-assemble product.

Operation and Use

WARNING: Failure to follow these operating instructions may result in injury and/or damage.

Thank you for choosing the Vivente. We hope you enjoy using your new electric fire. Please take a few minutes to read these instructions. This will help you understand and benefit from all of the following features:

- Onboard controls
- Remote control
- App control
- Heating – including “ComfortSaver”
- Flame effects
- SmartSense

Comfort\$aver

This electric fire operates with Comfort\$aver technology, which automatically adjusts the fan speed and heater wattage to match the requirements of the room based on the thermostat setting. Conventional electric heaters work by simply being fully on or off, which can result in swings from slightly too warm to slightly too cold.

Comfort\$aver operates such that once the room reaches the set point, the fan and heater will continuously run at a low level, to maintain the desired room temperature providing a more comfortable heating which results in up to an 11% energy saving.

If the temperature in the room rises significantly, i.e. sun coming through a window or the central heating turns on, the heater will turn off and periodically turn back on to circulate the air around the unit, until the room temperature drops and requires the heater to be constantly on again.

SmartSense

SmartSense detects activity or movement in a room and automatically switches on the flame effect, without the need for you to touch the controls. SmartSense will also detect inactivity in a room and after a certain period of time switch the product into standby mode. See Fig. 15 which illustrates the detection zone for SmartSense.

When the fire detects no activity, it will switch itself off. You can choose either these periods of time - 30 minutes or 3 hours.

SmartSense is deactivated for 3 minutes after the product is put into standby mode. This allows you to leave the room after putting the product on standby, without triggering the SmartSense function.

SmartSense has the following three settings:

"HOME" (via APP)

On this setting SmartSense will only switch the flame effect when it detects movement between the hours of 5-11pm, so if you enter the room during the day the fire will not react. However in the evening, your Dimplex fire will instantly switch on your flame effect – remembering your last setting.

"24 Hr" (Default)

SmartSense will switch on the flame effect when it detects movement at any time during the day or night. This is ideal for retail and commercial environments.

"OFF"

SmartSense can be switched off, which will allow the product to perform normally in every other aspect

Controls





The unit can be controlled by:

- Onboard/Manual controls which are located on the upper right of the fireplace (See Fig. 16)
- Remote control – supplied
- App control. Using a dedicated App on your smart phone

Not all of the features, however, can be accessed by the on-board controls. To access the full range of features, the smart phone App is required.

Operating Instructions (ON BOARD CONTROLS)- See Figure 16

The unit can be operated using the manual controls which are located on the upper right of the fireplace. See Fig. 16

Icon	Function	Description
	Standby Switch	Turns product on to Standby mode. When pressed to "1", Display Board show "ST.BY" for five seconds, then shows "." only, to indicate standby condition.
	Menu Cycle Button	<p>After initial power up, product is on standby. Press Menu Cycle Button Once: This turns on the flame effect to a default setting. Display Board show "ON".</p> <p>This button cycles through the Product setting options, when the product is operating. These options are "FIRE", "AMB", "HEAT", "Set.T", "TIMR", "SNSR" and "VOL".</p> <p>"FIRE": The Flame Brightness Setting can then be adjusted using the "+" or "-" buttons. There are seven settings. (Display shows "-F1-" to "-F5-", for the different levels of brightness, "-F6-" for Pulsating Effect and "OFF" when the flame effect is turned off.)</p> <p>"AMB": The Ambient Setting can then be adjusted using the "+" or "-" buttons. There are seven settings available on the onboard controls. (Display shows "AMB1" to "AMB7") "AMB8" is a customisable mood setting that is available via the Dimplex Flame Connect App. Please Note: "-F6-" is not an available setting when in "AMB6", "AMB7" or "AMB8".</p> <p>"HEAT": The set temperature "XXST" is displayed for two seconds, after that, the room temperature "XX°C" for a further two seconds. The Heat Setting can be switched ON/OFF using the "+" or "-" buttons respectively. (Display shows "ON" or "OFF")</p> <p>"Set.T": The Set Temperature can then be adjusted using the "+" or "-" buttons. Temperature range is 15°C - 32°C and is in increments of 1°C (Display shows "15ST" up to "32ST") After 2 seconds, the current Room Temperature is displayed "XX °C". This is shown for three seconds.</p> <p>"TIMR": The Runback Timer can be adjusted using the "+" or "-" buttons. This can be set between 0.5 Hrs and 8.0 Hrs in increments of 0.5 hrs. ("0.5Hr" to "8.0 Hr")</p> <p>"SNSR": The SmartSense Settings can be adjusted using the "+" or "-" buttons. "MIN" turns product off 0.5 hour after last movement detected. "MAX" turns product off 3 hours after last movement detected. "OFF" - Motion Sensor turned off.</p> <p>"VOL": The Volume can be adjusted using the "+" or "-" buttons. Volume has seven settings. ("OFF", which is sound off and "VOL1" to "VOL6")</p>
	Increase "+" Button	This button increases the displayed setting when it is pressed, while in Menu Mode.
	Decrease "-" Button	This button decreases the displayed setting when it is pressed, while in Menu Cycle Mode.













User Modes:

Mode Name /Description	Action (Actions cannot be input by remote control)
Disable/Enable Heat Options on product	When in heat, press both the Menu Cycle Button and "-" Button for five seconds. Display reads "CD02", heat is now disabled. Repeat to enable Heat.
Switch from Degree Celsius to Degree Fahrenheit.	When in heat, press both the Menu Cycle Button and "+" Button for five seconds. The product can then switch from "-°C-" to "-°F-". Repeat to revert back to degrees Celsius mode.
SmartSense Mode selection.	"24Hr" setting operates the SmartSense at all times. This is the default setting. "HOME" setting; the product operates the SmartSense between 5pm and 11pm. Please Note: The product must be connected to the "FLAME CONNECT" App, for the "HOME" setting to operate.

Remote control

The fireplace is supplied with a remote control.

Operating Instructions using REMOTE CONTROL - See Figure 17

	Icon	Display	Function	Description
A		"FIRE" / "ST.BY"	Power / Standby	Press Once to turn the product on. ("ON") Press a second time to put the product into standby. ("ST.BY" is shown, then "." is displayed to indicate standby.) (When returning from 'STANDBY' mode the product will return to previous settings unless the product has been unplugged, in which case it will reset to factory settings)
B		"TIMR"	Timer Cycle	This Button changes the timer setting. This can be set between 0.5 Hrs and 8.0Hrs in increments of 0.5 hrs. ("0.5Hr" to "8.0Hr + OFF") Each Button press will increase timer setting by 0.5hrs.
C		"SNSR"	Smart- Sense Cycle	This Button cycles through the SmartSense settings. Display will read; "MIN", "MAX" or "OFF". "MIN" turns product off 0.5 hour after last movement detected in room. "MAX" turns product off 3 hour after last movement detected in room. "OFF" - SmartSense is turned off
D		"ON"	Heat Mode	First Button press activates the heat. Display reads "ON - XXST - XX°C"
		"OFF"	Heat Mode	Second button press deactivates the heat. Display shows "OFF"
E		"15ST"	Temp Down	Press Once to display current Set Temperature. Press multiple times to lower the heater temperature in 1°C increments. The lowest temperature that can be set is 15°C.
F		"32ST"	Temp Up	Press Once to display current Set Temperature. Press multiple times to increase the heater temperature in 1°C increments. The highest temperature that can be set is 32°C.
G		"-F1-"	Flame Brightness Down	Press Once to display current flame brightness setting. Press to reduce the flame brightness setting. Range is from "-F1-" to "-F6-" and "OFF".
H		"-F6-"	Flame Brightness Up	Press Once to display current flame brightness setting. Press to increase the flame brightness setting. Range is "OFF", then "-F1-" to "-F6-"
I		"VOL1"	Volume Down	Press Once to display current volume setting. Press to reduce the volume setting. Range is "OFF", then "VOL1" to "VOL6".
J		"VOL6"	Volume Up	Press Once to display current volume setting. Press to increase the volume setting. Range is "OFF", then "VOL1" to "VOL6".
K		"AMB1"	Ambient Cycle	Press once to display current Ambient Setting. Subsequent presses will cycle through the settings. Range is from "AMB1" to "AMB7". "AMB8" will also display once it is activated via the app.
L		"LGT1"	Light Selection Button	Press once to show all top lights and fuelbed and flame colour lights ON. Subsequent presses cycle through ON/OFF settings for each of these lights. "LGT1" to "LGT5"

Product Features Overview

Function	Onboard Controls	Remote Control	App Control
Standby	✓	✓	✓
Temperature Adjustment (15° C – 32° C)	✓	✓	✓
Heat Disable	✓	-	-
Heater Mode (ECO, Boost Frost protection, fan, etc.)	-	-	✓
Flame Intensity	✓	✓	✓
Volume Setting	✓	✓	✓
Run-back Timer	✓	✓	✓
7 - Day Timer	-	-	✓
Volume Setting	✓	✓	✓
Ambient Light Setting	✓	✓	✓
Ambient Light On/Off	-	✓	✓
Customizable Ambient	-	-	✓
SmartSense	✓	✓	✓

Smart Phone App

“Flame Connect” allows you to control your fire's function over Bluetooth, from your hand. Search for “Flame Connect” on your App Store and install to get started.



Fault Codes		
Onboard Display	Description	Action
CD20	Room Sensor (NTC) Error	Contact your retailer and reference this error code.
CD03	The internal NTC is measuring elevated temperatures within the product.	Unplug Unit at power supply to reset, allow it to cool down, then plug unit back in to restart.
CD04	Internal Communication Error	Contact your retailer and reference this error code.
CD05	The internal temperature sensor has failed.	Unplug Unit at power supply to reset, allow it to cool down, then plug unit back in to restart.
CD53	This error displays when timer settings are out of sync. This occurs when the product has power cut off for over 40 hours. The product can no longer operate at the determined time settings, and CD53 is displayed.	Reset the timer settings using the Flame Connect APP.

Flame effect themes

There are different combinations of flame effect available. Different presets of lighting colour combinations are available and can be cycled through using the remote control.

Further customisation of the effects is accessible through the smart phone app.

Resetting the Temperature Cutoff Switch

Should the heater overheat, an automatic cut out will turn the whole unit off and it will not come back on without being reset. It can be reset by turning the unit off at the main power and waiting 5 minutes before turning the unit back on. See table Fault Codes on the previous page for more details.

⚠ CAUTION: If you need to continuously reset the heater, turn the unit off at the main supply, disconnect panel and call technical support.

Maintenance

WARNING: ALWAYS DISCONNECT FROM THE POWER SUPPLY BEFORE CLEANING THE HEATER.

Cleaning

Before commencing cleaning, unplug the heater and allow it to cool. The surfaces of the heater should be given an occasional wipe with a dry soft cloth. Do not use detergents, abrasive cleaning powder or furniture polish as this can damage the surface finish of the product.

To remove any accumulation of dust or fluff, the soft brush attachment of a vacuum cleaner should occasionally be used to clean the outlet grille of the fan heater located above the front glass.

To clean the fuel effect, remove the fuelbed media. The plastic tray should be wiped clean with a damp cloth. When dry, replace the logs/crystals onto the fuelbed and arrange for best effect.

The front and side glass are cleaned in the factory during the assembly operation. During shipment, installation, handling, etc., the front and side glass may collect dust particles; these can be removed by dusting lightly with a clean dry cloth.

To remove fingerprints or other marks, the partially reflective glass can be cleaned with a damp cloth. The partially reflective glass should be completely dried with a lint free cloth to prevent water spots. To prevent scratching, do not use abrasive cleaners.

CAUTION: Assembly, installation and repair of this heater must be carried out by Dimplex or its authorised agent.

CAUTION: We recommend that this heater is checked annually for safety by a qualified electrician.

Additional Information

After Sales Service

Your product is guaranteed for one year from the date of purchase. Within this period, we undertake to repair or exchange this product free of charge provided it has been installed and operated in accordance with these instructions. Your rights under this guarantee are additional to your statutory rights, which in turn are not affected by this guarantee.

CAUTION: Do not use if the heater's mains power lead is damaged. Such use may cause a hazard. If damaged, the mains power lead must be replaced by the manufacturer or its authorised dealer.

Recycling




For electrical products sold within the European Community - At the end of the electrical product's useful life, it is not be disposed of with household waste. Please  recycle where facilities exist. Check with your Local Authority or retailer for recycling advice in your country.

Fig. 1a

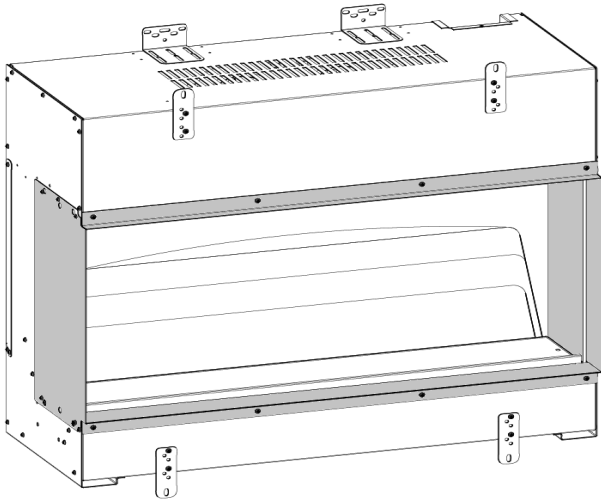


Fig. 1b

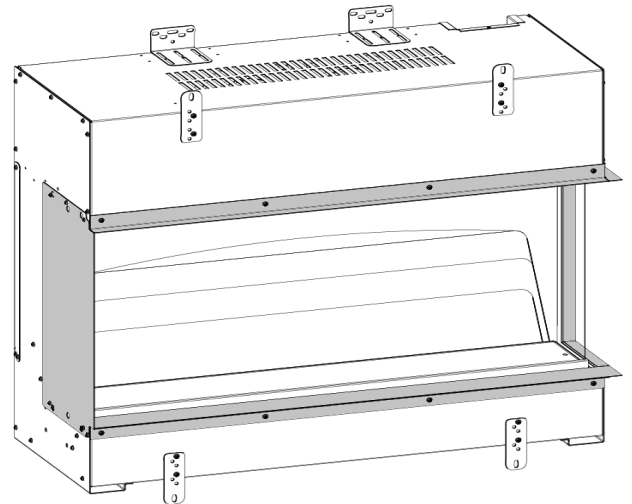


Fig. 1c

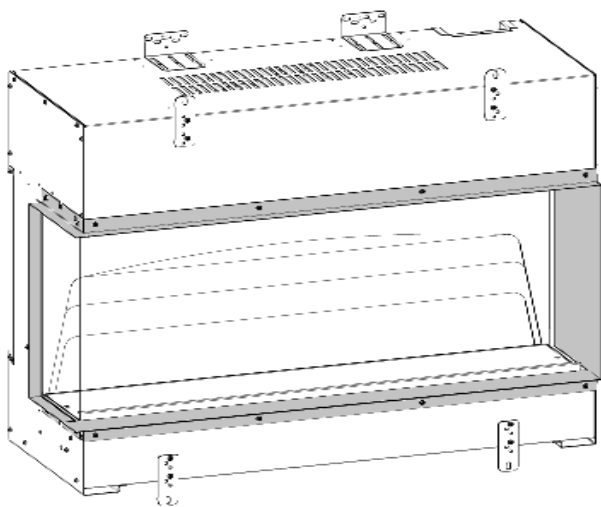


Fig. 1d

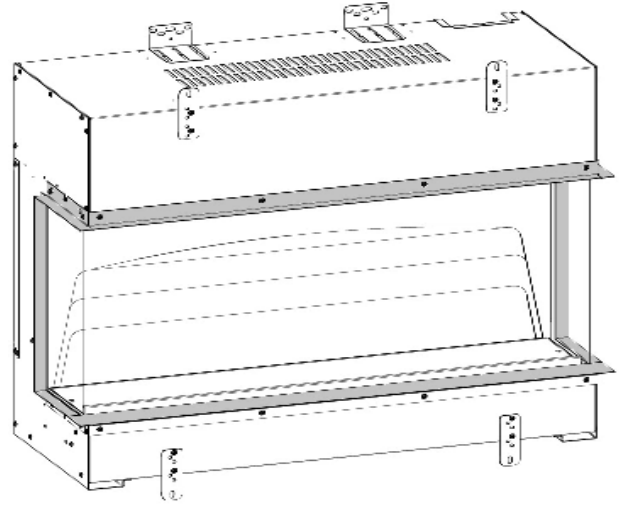


Fig. 2

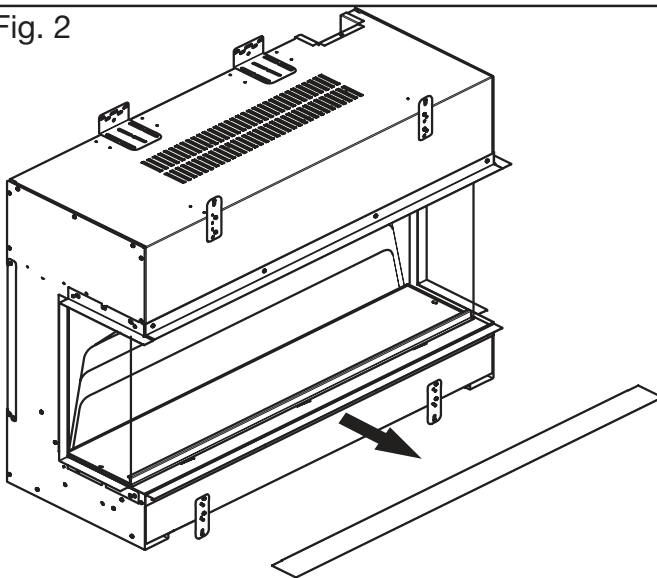


Fig. 3a

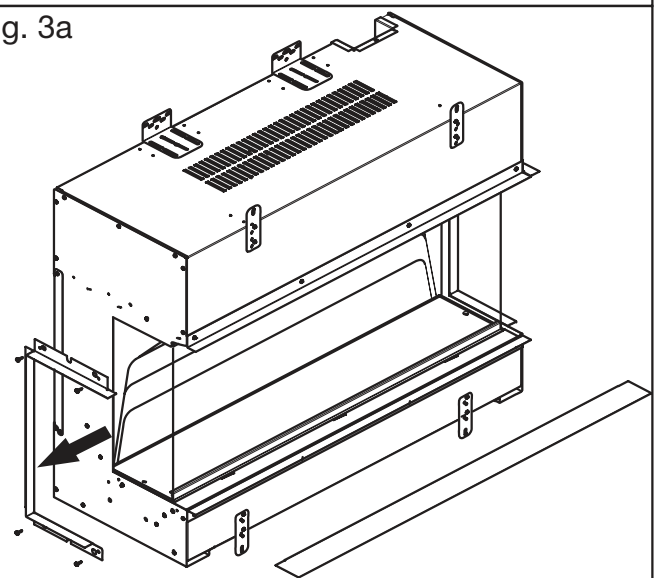


Fig. 3b

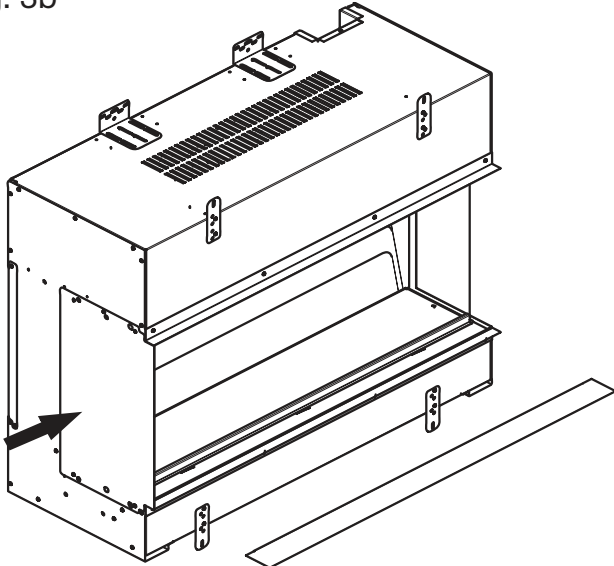


Fig. 4

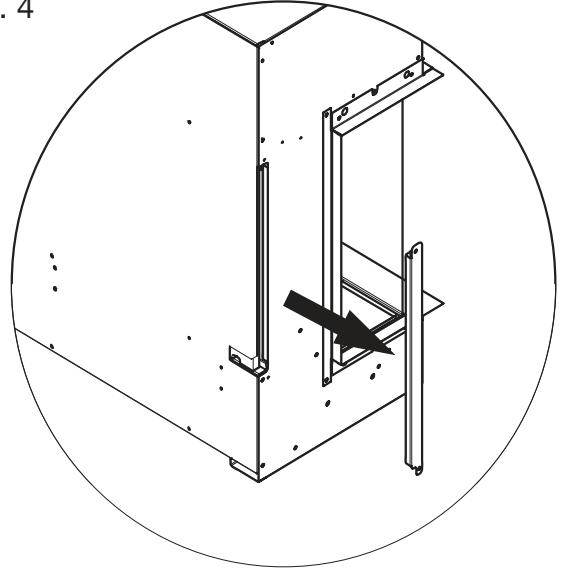


Fig. 5

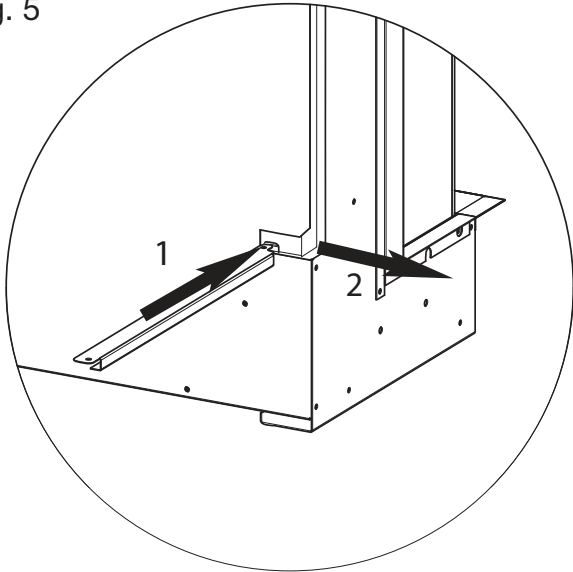


Fig. 6

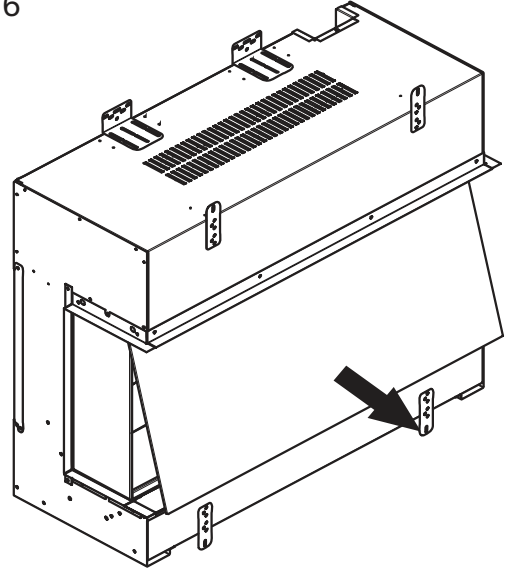


Fig. 7

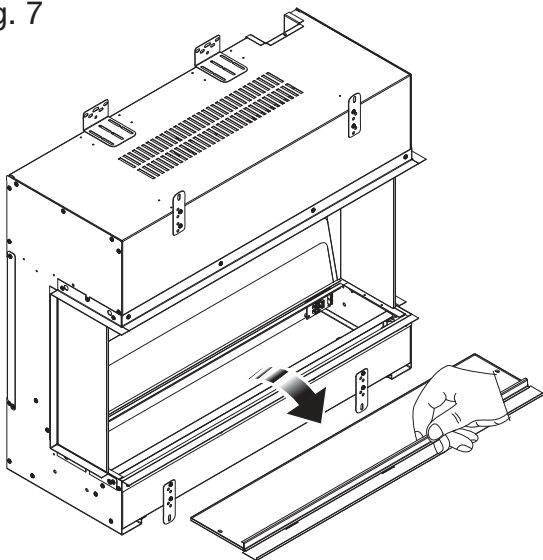


Fig. 8

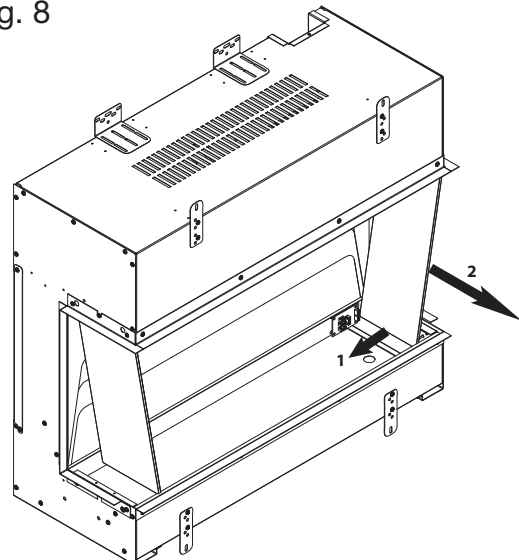


Fig. 9

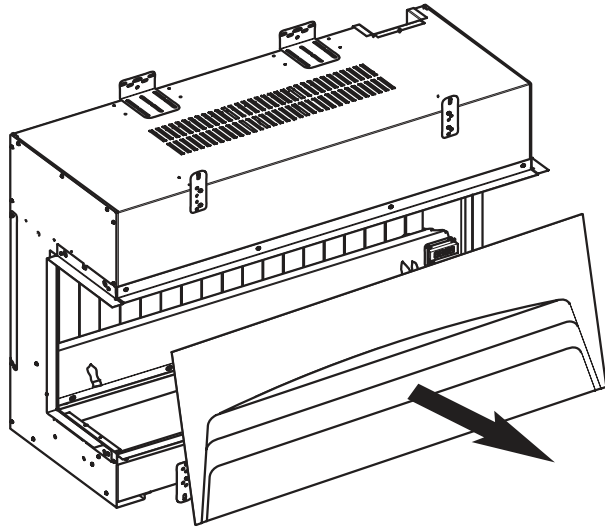


Fig. 10a

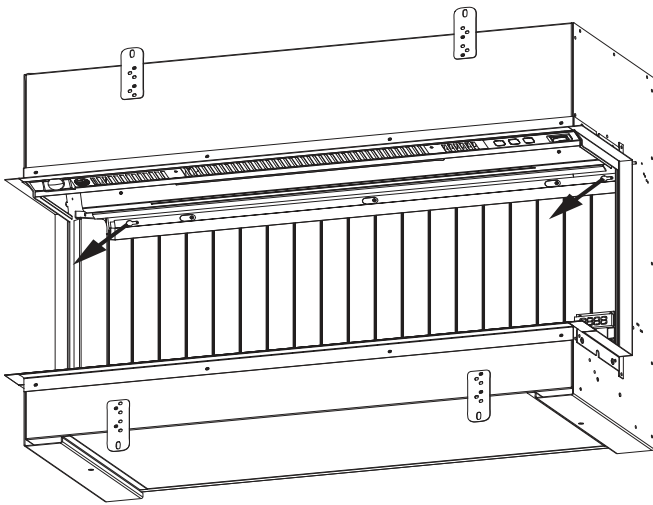


Fig. 10b

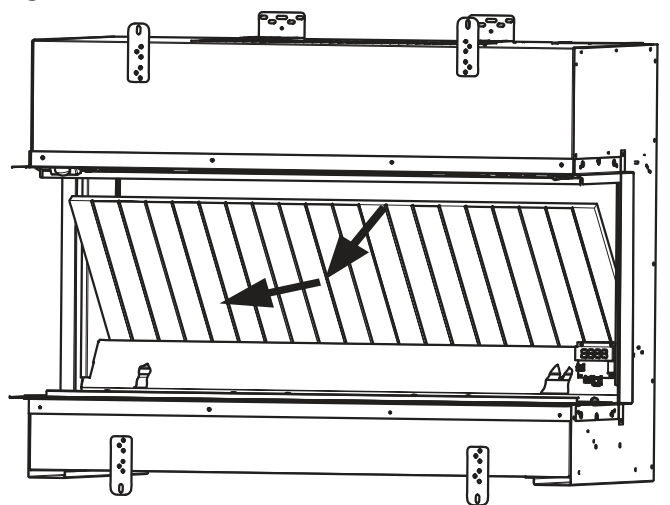
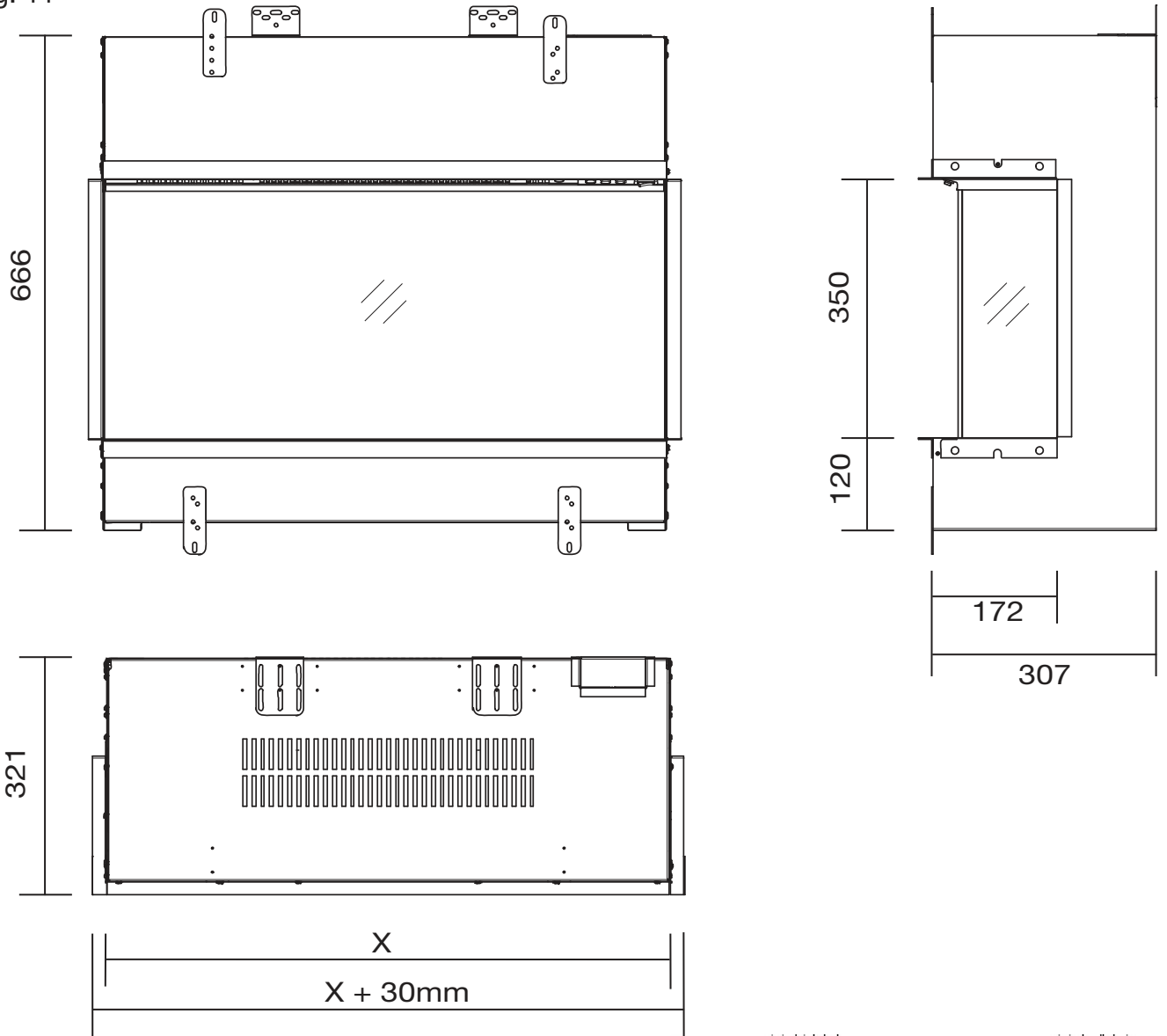


Fig. 11



MODEL	'X'
VVT75	764mm
VVT100	1014mm
VVT150	1514mm

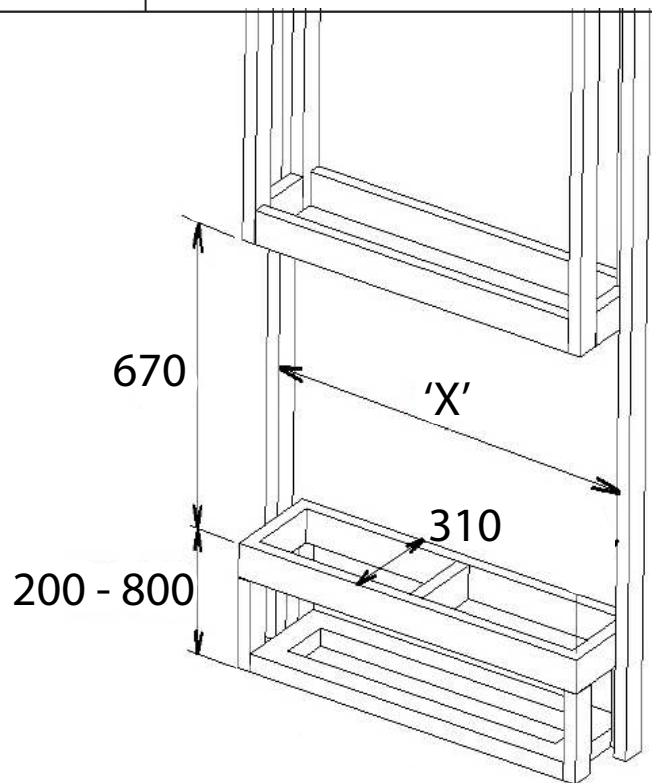


Fig. 12

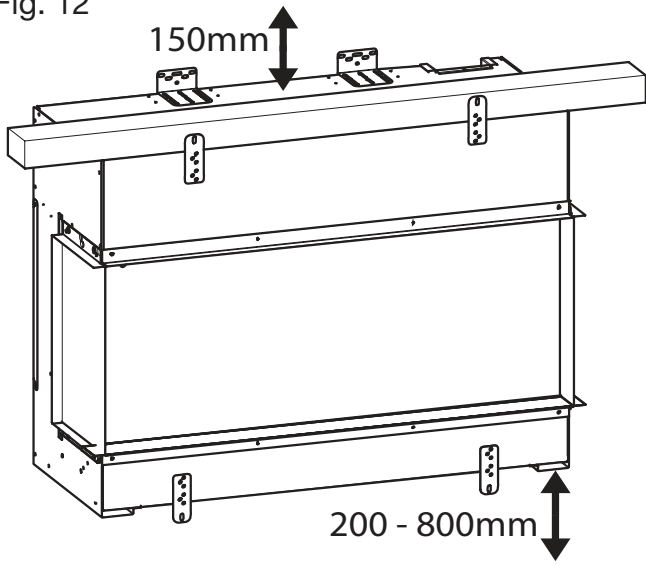


Fig. 13a

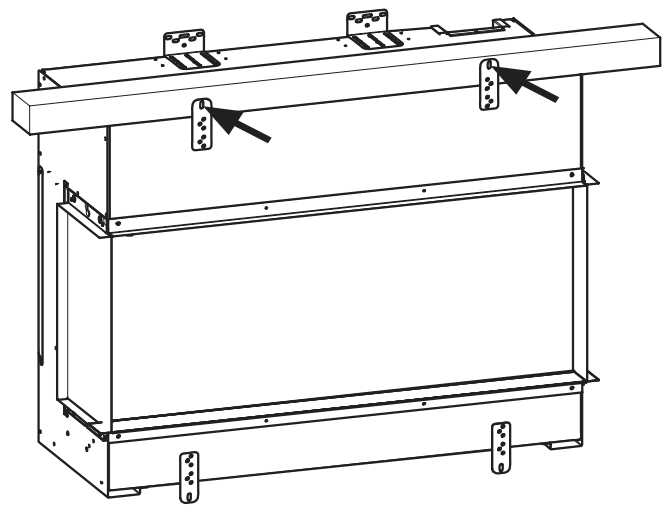


Fig. 13b

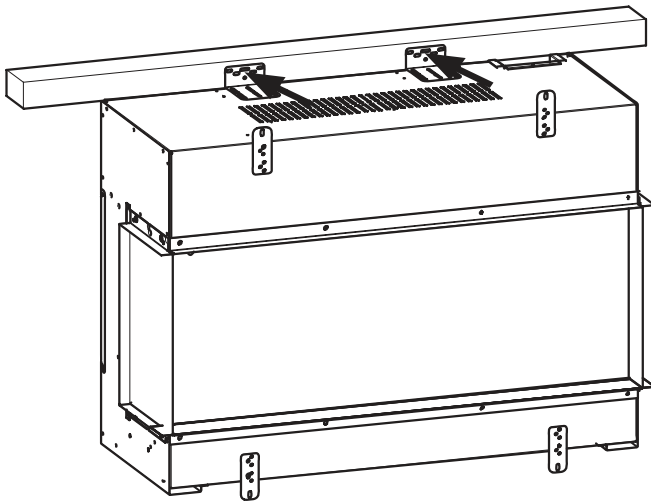


Fig. 13c

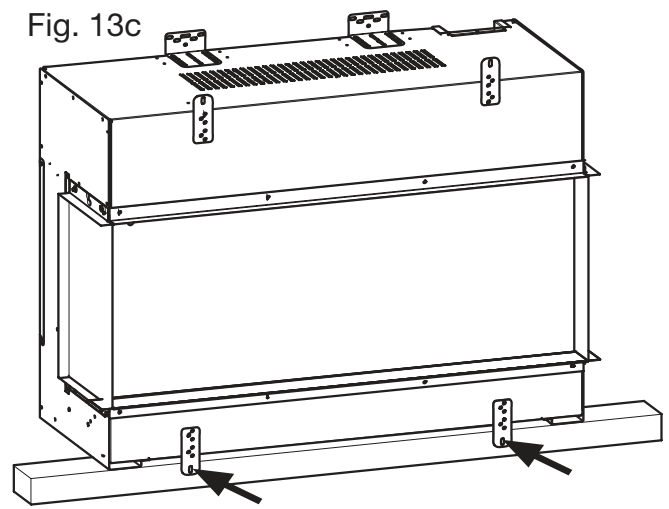


Fig. 14



Fig. 15

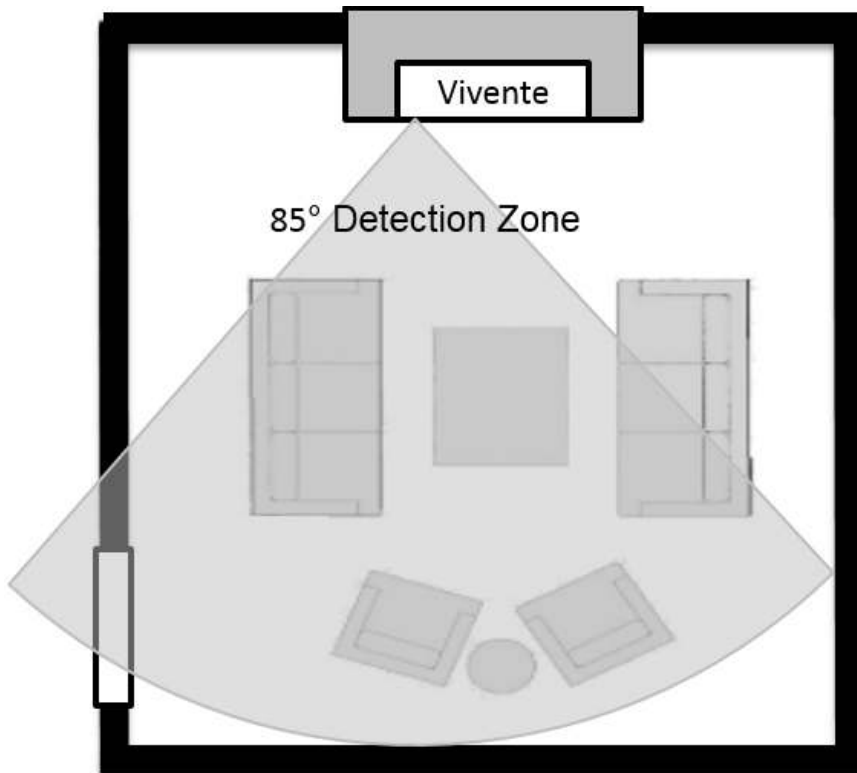


Fig. 16

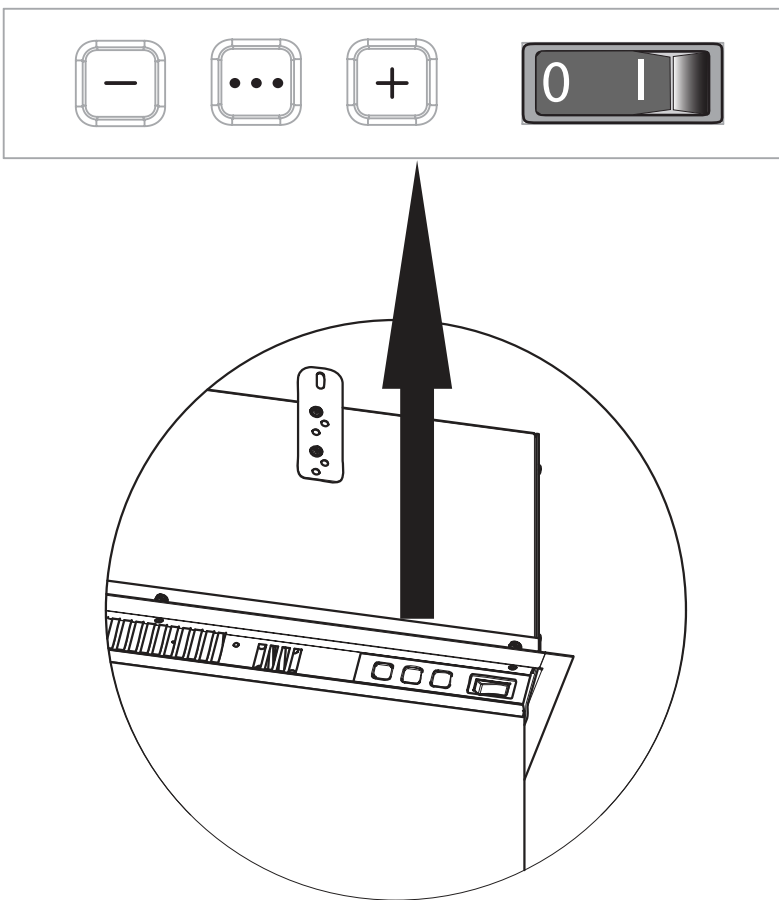
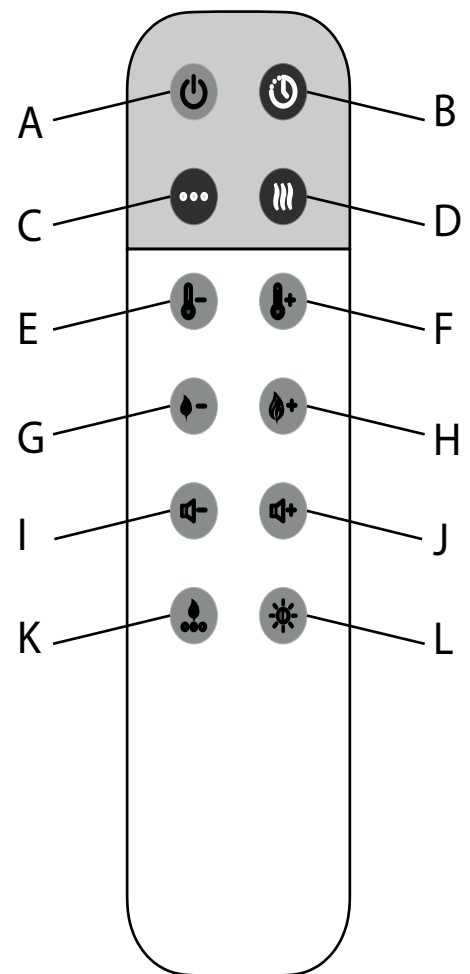
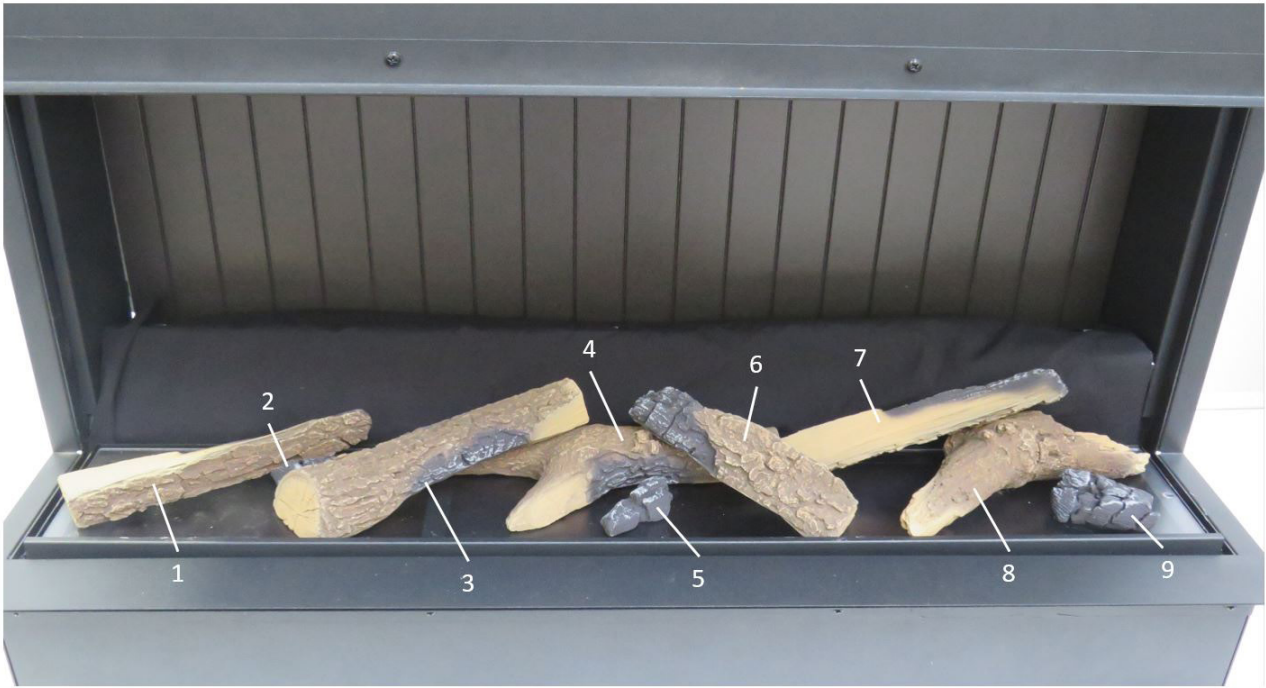
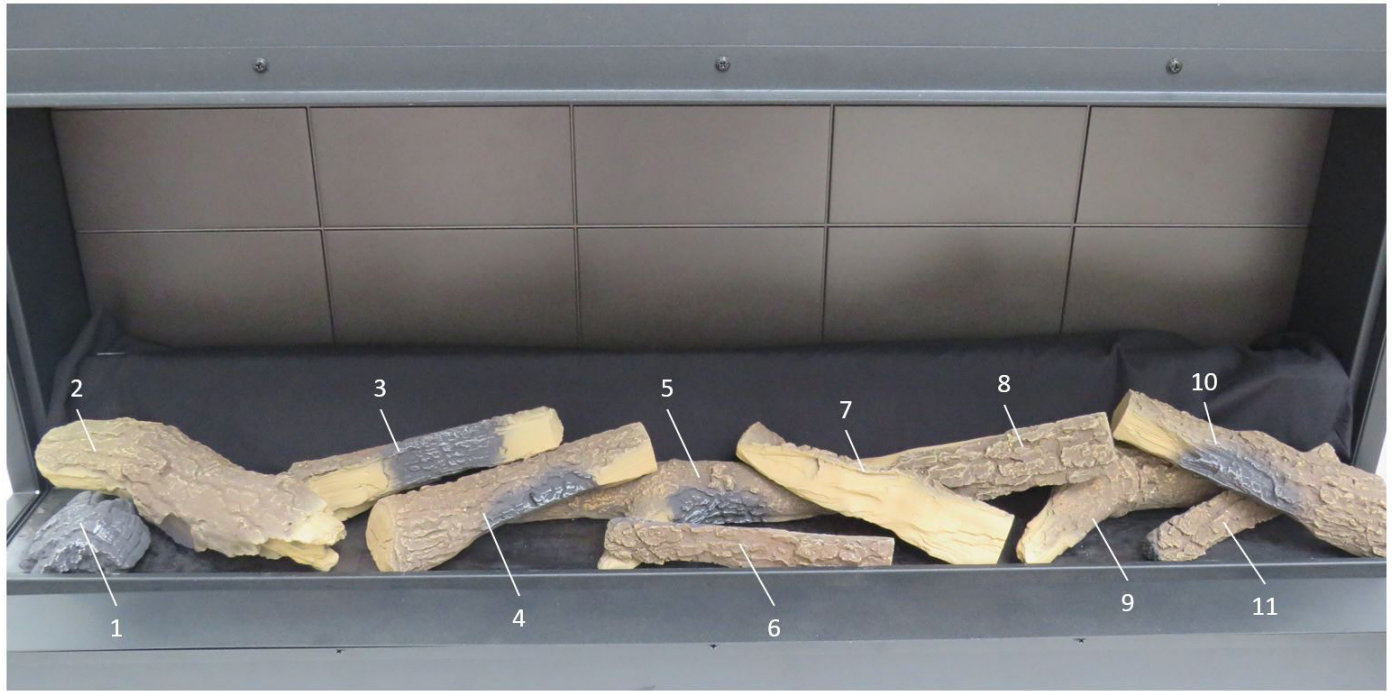


Fig. 17





VVT100



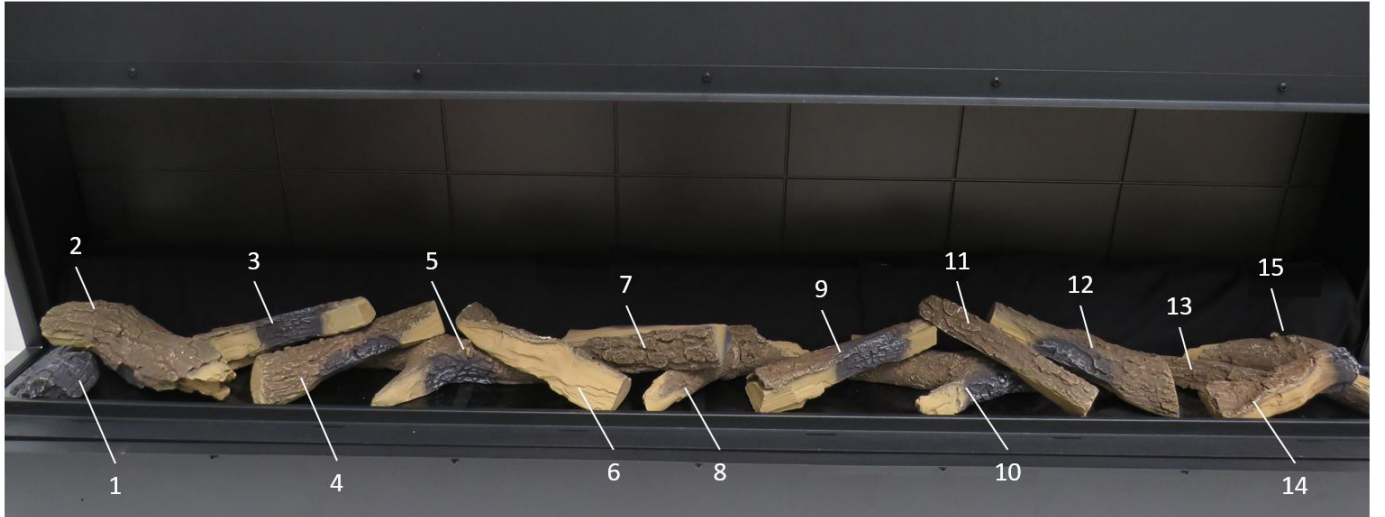


Fig. 18



