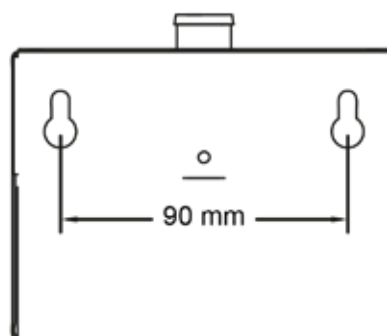
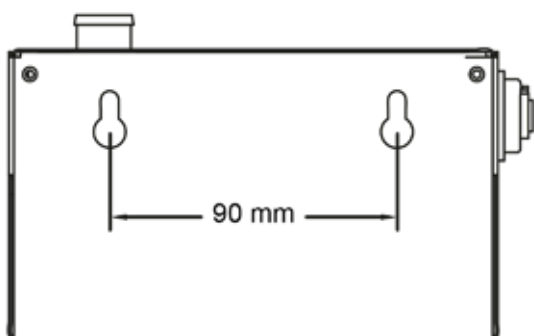
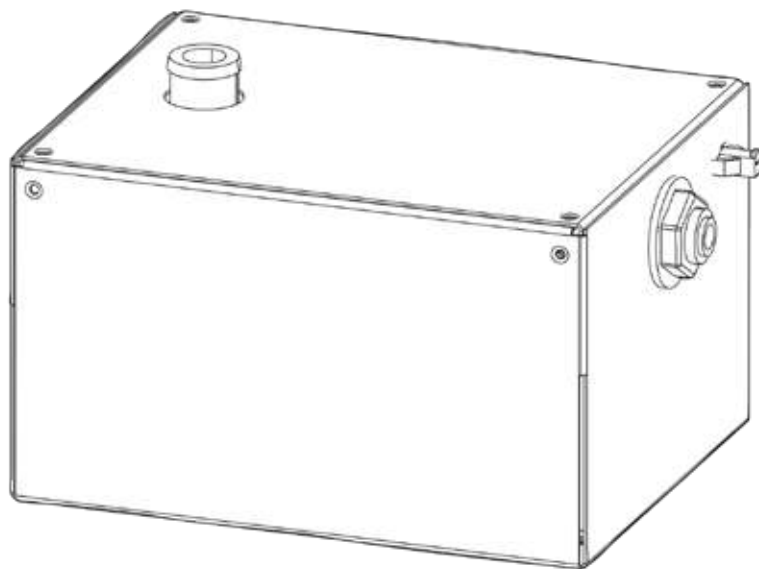


Pump accessory |



- Pump system to feed water from a reservoir outside the e-Matrix (non pressured system/ open system)
- Water reservoir (not included) to be installed above the pump
- Can be connected to all models of the e-Matrix

TECHNICAL SPECIFICATIONS E-MATRIX PUMP

Article number	211477
EAN code	5011139 211477
Dimensions	10 x 17 x 12 cm

 **faber**

For more information, please take a look at the website

www.faberfires.com

There is **so much to tell...**