

Dimplex



Juneau XL



08/51643/0 Issue 4
OCN 10664



Fig.1

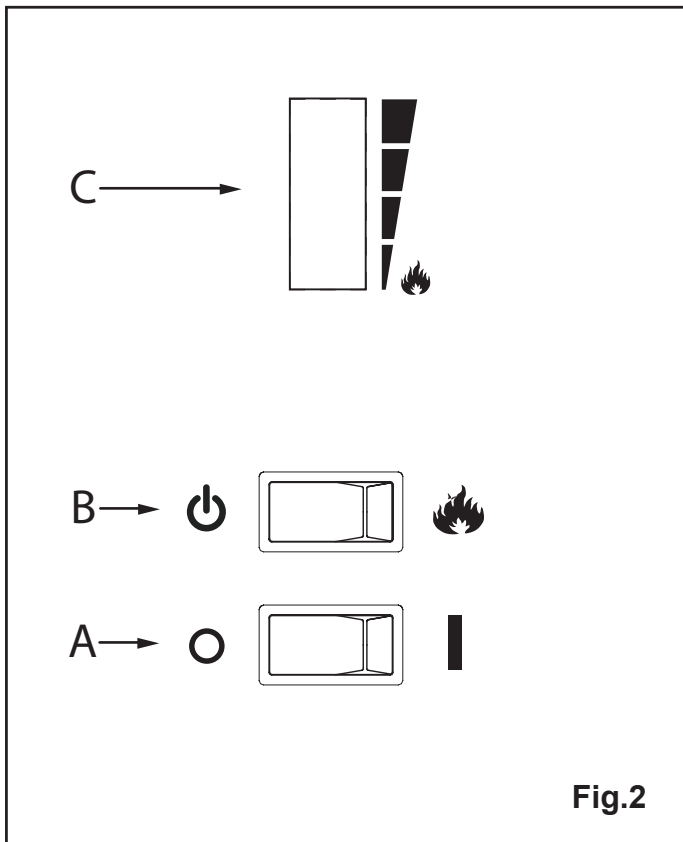


Fig.2

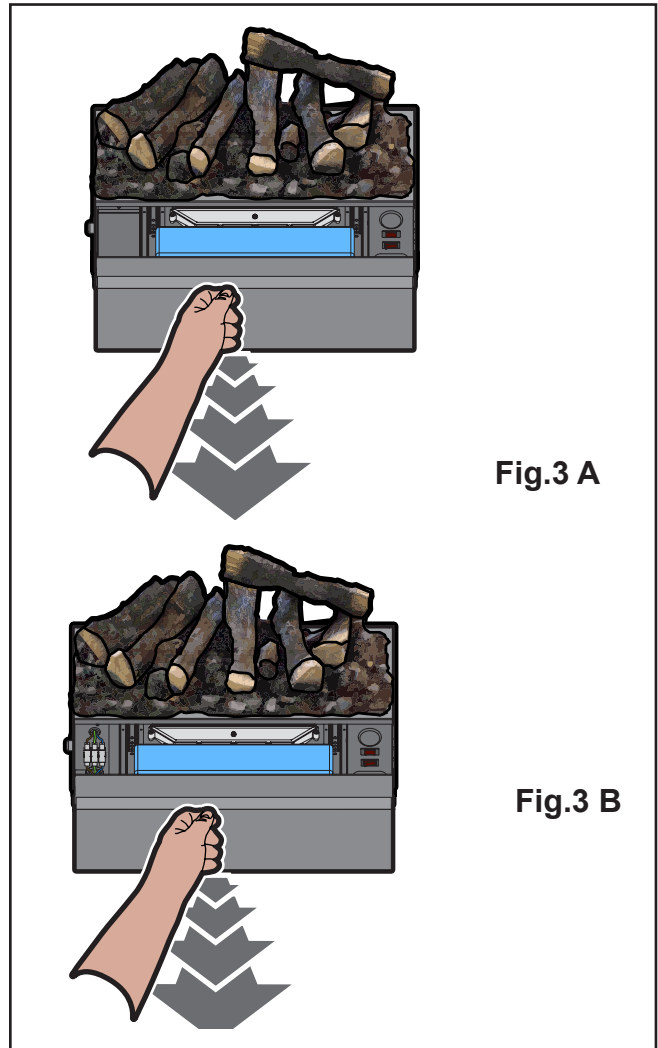


Fig.3 A

Fig.3 B

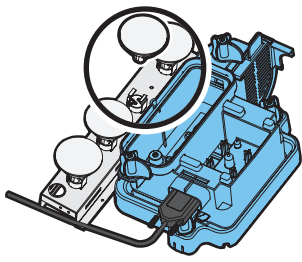


Fig.4

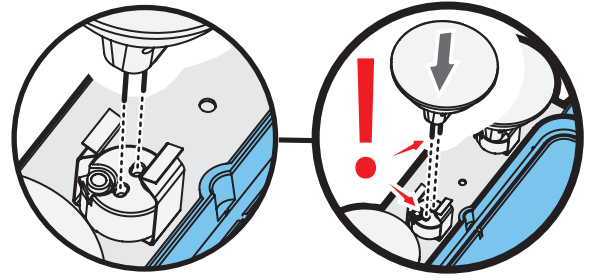


Fig.5

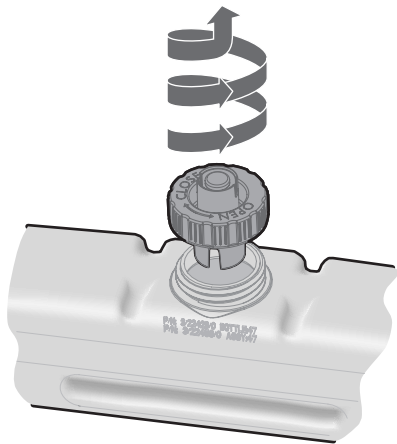


Fig.6

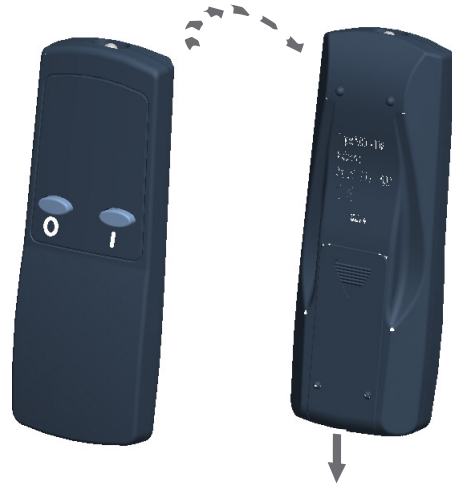


Fig.7

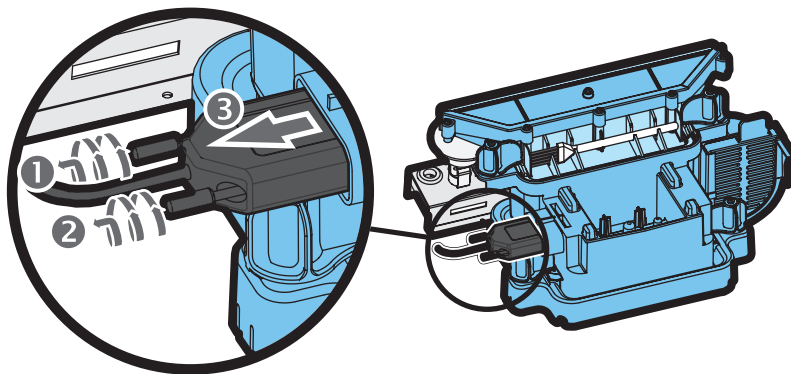


Fig.8

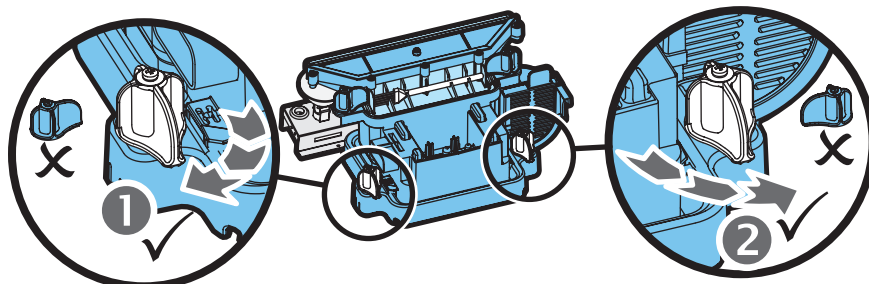
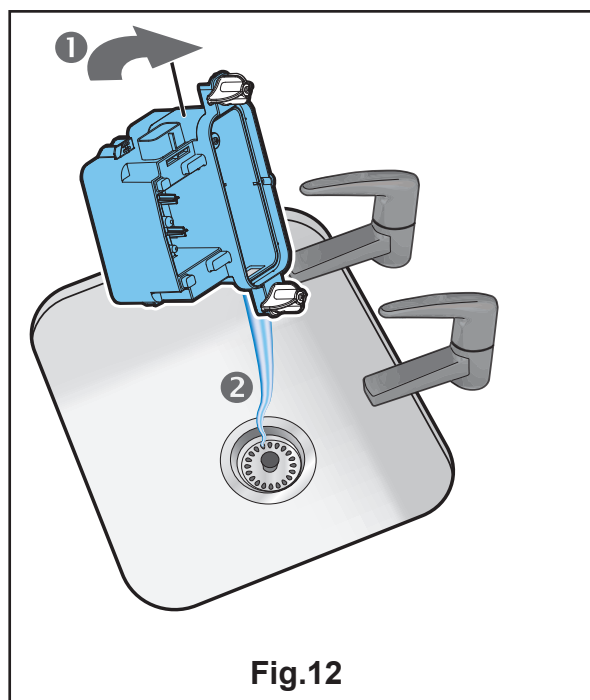
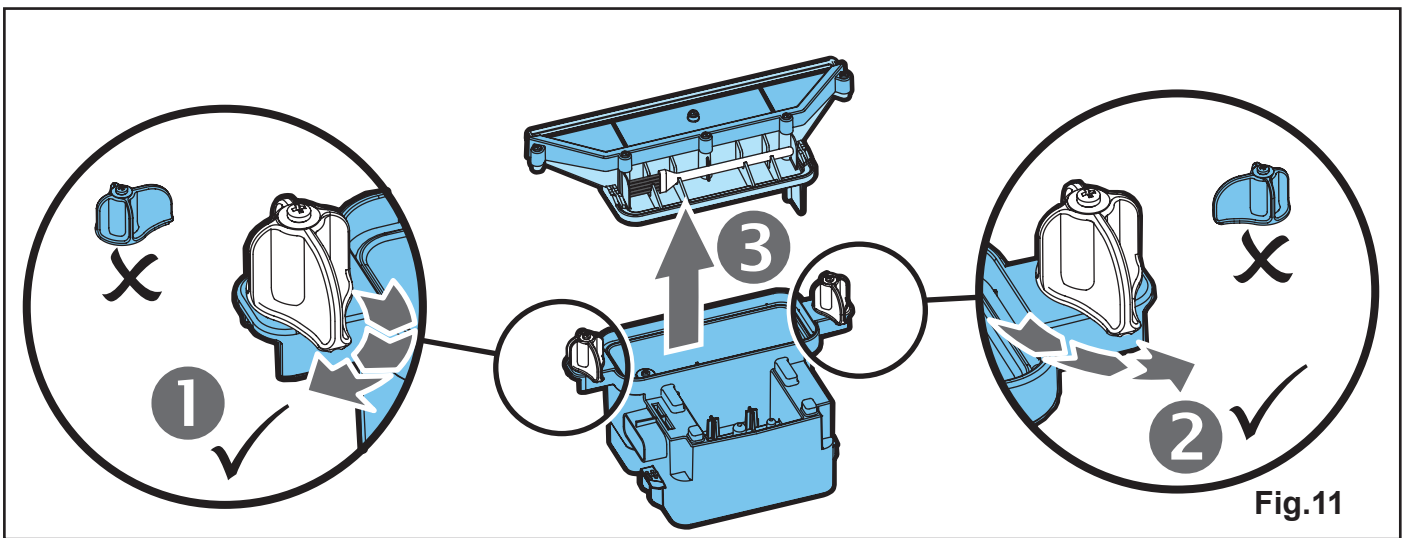
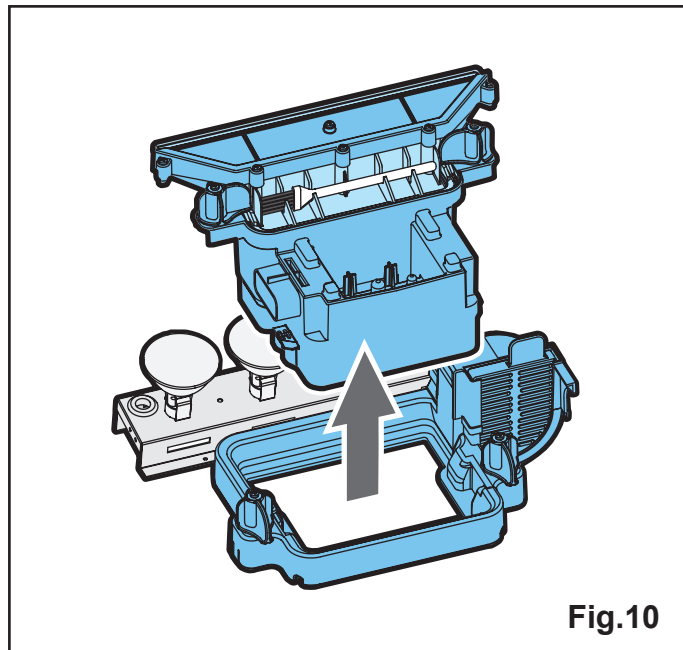


Fig.9



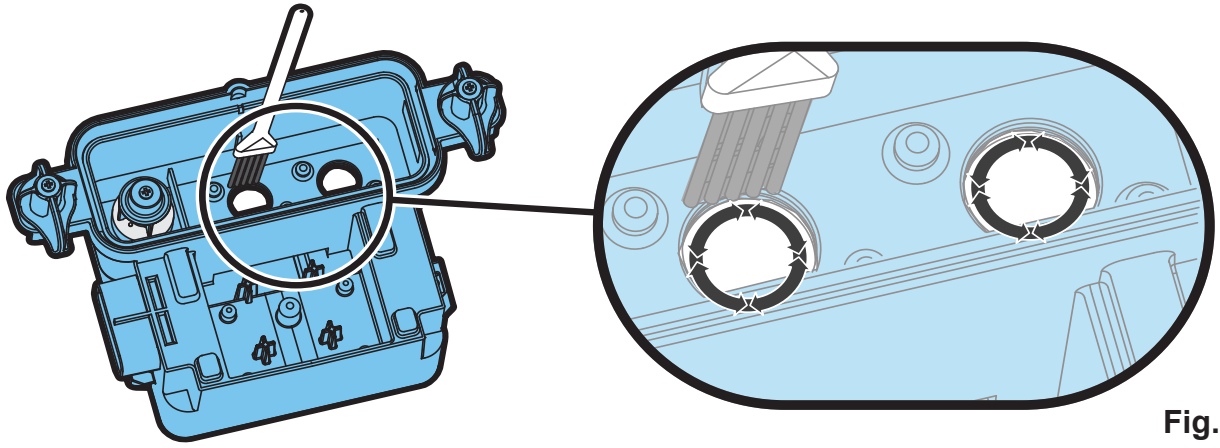


Fig.13

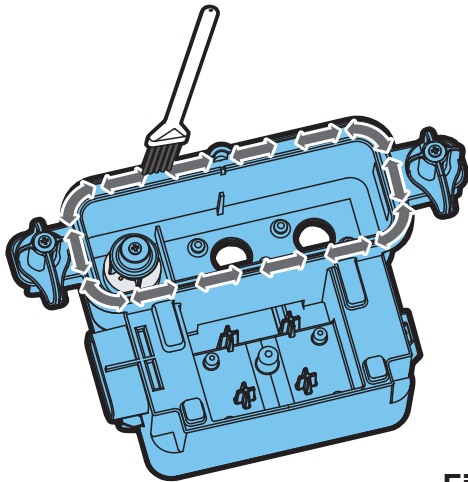


Fig.14

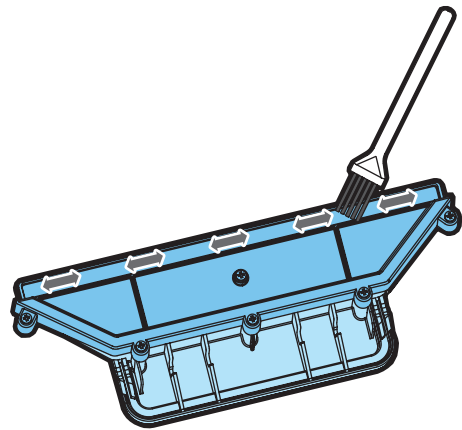


Fig.15

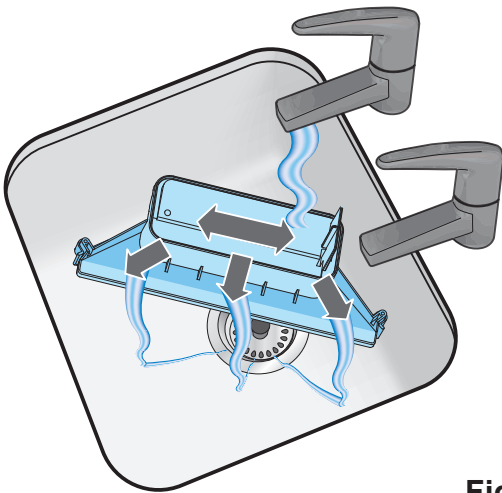


Fig.16

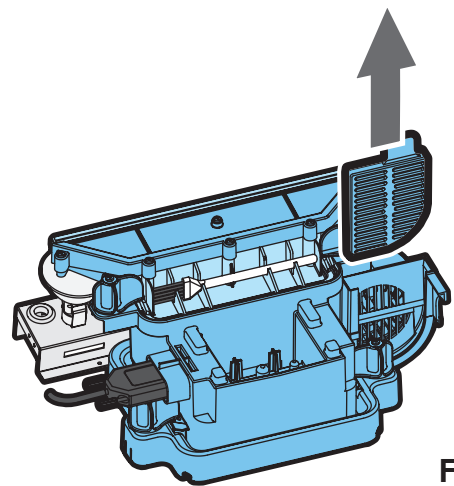


Fig.17

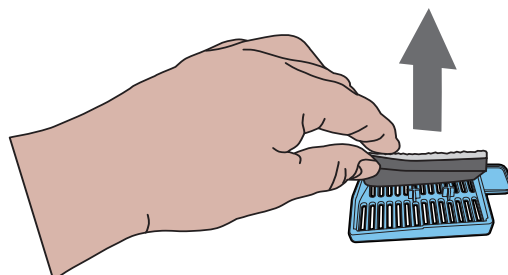


Fig.18

GB	1
DE	6

Introduction

Please read this information guide carefully to be able to safely install, use and maintain your product.

Important Safety Advice

When using electrical appliances, basic precautions should always be followed to reduce the risk of fire, electrical shock and injury to persons, including the following:

1. OVERHEATING

WARNING: In order to avoid overheating, do not cover the heater. Do not place material or garments on the heater, or obstruct the air circulation around the heater. The heater carries a DO NOT COVER warning.

2. DAMAGE.

If the appliance is damaged, check with the supplier before installation and operation.

If the supply cord is damaged it must be replaced by the manufacturer or service agent or a similarly qualified person in order to avoid a hazard.

3. LOCATION

Do not use outdoors.

Do not use in the immediate surroundings of a bath, shower or swimming pool.

Do not locate the heater immediately below a fixed socket outlet or connection box.

Ensure that furniture, curtains or other combustible material are positioned no closer than 1 metre from the heater.

Although this heater conforms with safety standards, we do not recommend its use on deep pile carpets or on long hair type of rugs.

4. PLUG POSITIONING

The appliance must be positioned so that the plug or point of isolation is accessible.

Keep the supply cord away from the front of the appliance.

5. USE OF OTHER CONTROLS

Do not use this heater in series with a thermal control, a program controller, a timer or any other device that switches on the heat automatically, since a fire risk exists when the heater is accidentally covered or displaced.

6. UNPLUGGING

In the event of a fault unplug or isolate the device.

Unplug or isolate the device when not required for long periods.

7. OWNER/USER

This appliance can be used by children aged from 8 years and above and persons with reduced physical, sensory or mental capabilities or lack of experience and knowledge if they have been given supervision or instruction concerning use of the appliance in a safe way and understand the hazards involved. Children shall not play with the appliance. Cleaning and user maintenance shall not be made by Children without supervision.

Children of less than 3 years should be kept away unless continuously supervised. Children aged from 3 years and less than 8 years shall only switch on/off the appliance provided that it has been placed or installed in its intended normal operating position and they have been given supervision or instruction concerning use of the appliance in a safe way and understanding the hazards involved. Children aged from 3 years and less than 8 years shall not plug in, regulate and clean the appliance or perform user maintenance.

8. ELECTRICITY

WARNING – THIS APPLIANCE MUST BE EARTHED.

This heater must be used on an AC ~ supply only and the voltage marked on the heater must correspond to the supply voltage. Before switching on, please read the safety advice and operating instructions.

CAUTION — Some parts of this product can become very hot and cause burns. Particular attention has to be given where children and vulnerable people are present.

WARNING - In order to avoid overheating, do not cover the appliance

General Information

Unpack the fire carefully and retain the packaging for possible future use, in the event of moving or returning the fire to your supplier. The Remote Control and batteries are packed separately in the carton.

The fire incorporates a flame effect, which can be used with or without heating, so that the comforting effect may be enjoyed at any time of the year. Using the flame effect on its own only requires little electricity.

This model is designed to be installed in a surround or into a wall recess.

Before connecting the fire check that the supply voltage is the same as that stated on the fire.

Please note: Used in an environment where background noise is very low, it may be possible to hear a sound which is related to the operation of the flame effect. This is normal and should not be a cause for concern.

Electrical connection.

WARNING – THIS APPLIANCE MUST BE EARTHED.

This fire must be used on an AC ~ supply only and the voltage marked on the fire must correspond to the supply voltage.

Before switching on, please read the safety warnings and operating instructions.

PLEASE RETAIN THIS USER'S GUIDE FOR FUTURE REFERENCE

Do not put plastic components into a dishwasher.

Only slide out the drawer when the water tank needs to be filled or a lamp needs to be changed otherwise you will inadvertently alter the water level and the flame effect operation.

Only use tap water in this appliance with a maximum hardness of 10 dH.

Always ensure that the fire is sitting on a level floor.

If you intend not using the appliance for longer than 2 weeks, drain the water from sump and water tank and dry the sump.

Once installed, never move this fire or lay on its back, without draining the water from sump and water tank. The water tank, sump, sump lid, tank cap and air filters must be cleaned once every two weeks, particularly in hard water areas.

The fire appliance should never be operated if the lamps are not working.

The lamps should be regularly inspected as described under '[Maintenance](#)' and '[Changing lamps](#)'.

Installation Instructions

Ensure that all packing items are removed (read any warning labels carefully).

Retain all packing for possible future use, in the event of moving or returning the appliance to your supplier.

To reduce heat losses and to prevent any chimney updraught affecting the operation of your fire we recommend that the chimney flue is blocked off, ensure that there is a slight gap for ventilation.

To install the appliance;

Hold the fire by the sides and gently manoeuvre into position. Plug the fire into a 13amp/240 volt outlet. Ensure that the supply cable exits at the front of the fire, at the right or left hand corner to suit your supply socket location and is not trapped under the fire such that it might cause it to be damaged.

Before switching on the appliance, please read the following instructions.

Before using the manual controls firstly fill the water tank (See '[Maintenance](#)', '[Filling the water tank](#)').

Operating the Fire

The manual controls are located behind the drawer.

(See Fig.2 for Manual Control lay out)

Switch 'A':- Controls the electricity supply to the fire.

Note: This switch must be in the 'ON' (I) position for the fire to operate

Switch 'B':- Controls the function of the fire.

Press  once to turn on flame effect. This will be indicated by one beep.

Although the main lights operate immediately it will take a further 30 seconds before the flame effect starts.

Press  to put fire in to standby mode.

This will be indicated by one beep.

Control Knob 'C':- Controls the intensity of the flame effect.

Turning the control knob up increases the flame effect, turning the control knob down will decrease the flame effect.

When the water tank is empty the main lamps go out. See instructions under '[Maintenance](#)', '[Filling the water tank](#)'.

When this procedure is complete, the main lamps will illuminate but it will take 30 seconds before the flames return.



Remote Control Operation

On the control panel, Switch A (see Fig.2) must be in the 'ON' (I) position in order for the remote control to operate.

There are 2 buttons on the remote control. (See Fig.7)

To operate correctly the remote must be pointed towards the front fuel effect.

The remote control functions are as follows:

-  **Press once to turn on Flame effect only.**
This will be indicated by one beep.
-  **Standby**
This will be indicated by one beep.

Battery Information.

1. Unclip the battery cover on the back of the remote control. (See Fig.7)
2. Install AAA batteries into the remote control.
3. Replace the battery cover.

Discard leaky batteries.

Dispose of batteries in the proper manner according to provincial and local regulations.

Any battery may leak electrolyte if mixed with a different battery type, if inserted incorrectly, if all the batteries are not replaced at the same time, if disposed of in a fire, or if an attempt is made to charge a battery not intended to be recharged.

Tips for using your appliance.

1. Only pull out the drawer when its time to refill the water tank or change a lamp, otherwise it may lead to excess water in the sump and reduced flame effect. If this happens empty the water from the sump as instructed under 'Maintenance'.
2. With the flame setting on minimum the unit will use approximately 40ml of water per hour and will last 3 times as long than when it is at maximum flame setting.
3. Do not tilt or move the fire while there is water in the tank or sump.
4. Make sure that the fire is on a level floor.
5. The flame control knob 'C' (Fig.2) may be turned up or down to give a more realistic effect.
6. Sometimes the flames appear more real when the flame control knob is turned down.
7. Give the flame generator some time to react to changes you may make on the flame control knob.

Maintenance

WARNING: ALWAYS DISCONNECT FROM THE POWER SUPPLY BEFORE ATTEMPTING ANY MAINTENANCE

Changing lamps.

If a large amount of the smoke appears grey or colourless it may be that one or more lamps have failed.

You can check for lamp failure as follows.

1. Leaving the flame effect on, open the drawers fully, gently pull the drawer fully out by the tab. (See Fig.3)
2. View the lamps from a distance in front of the fire and observe which lamp needs to be changed.
3. Put Switch 'A' in the 'OFF' position, and unplug the fire from the mains.
4. Leave the appliance for 20 minutes to allow the lamps to cool down before removing them.
5. Remove the water tank by lifting upwards and place in a sink.
6. Remove the sump as described in the Cleaning Section.
7. Remove the defective lamp, by gently lifting vertically and disengaging the pins from the lamp holder, (See Fig.4 and 5). Replace with an original, 12V, 45W, Gu5.3 base, 8° beam angle, coloured lamp. Purchase the lamps from your supplier
8. Carefully insert the two pins of the new lamp into the two holes in the lamp holder. Push firmly in place. (See Fig.4 and 5).
9. Replace the sump and water tank and carefully close the drawer.
10. Switch on.

Filling the water tank.

When the water tank is empty, flame and smoke effect shuts off, and you will hear 2 audible 'beeps'. Follow these steps to refill:

1. Press Switch 'A' to **(0)**. (See Fig.2)
2. Pull out the drawer as far as possible by the tab. (See Fig.3)
3. Remove the water tank by lifting upwards and outwards.
4. Place the water tank in sink and remove cap, Anti-clockwise to open. (See Fig.6)
5. Fill tank with **tap water with a maximum hardness of 10 dH only**. This is necessary to prolong the life of the flame and smoke producing unit.

In situations with a higher water hardness, the water should be filtered (for example with a Maxtra filter). **Do not use a decalcifier.**

6. Screw the cap back on, **do not overtighten**.
7. Return the tank to the sump, with the tank cap facing down and the flat side of the tank facing outward.
8. Press Switch 'B' once to turn on flame effect. (See manual control section and Fig.2).
9. Press Switch 'A' to 'ON' (I) position. (See Fig.2)
10. Gently push the drawer back in as far as it will go.

Cleaning.

WARNING – ALWAYS DISCONNECT FROM THE POWER SUPPLY BEFORE CLEANING THE FIRE.

We recommend cleaning the following components once every 2 weeks, particularly in hard water areas:-

Water Tank, Sump and Seal, Sump lid, Tank cap and seal, Air filter.

For general cleaning use a soft clean duster – never use abrasive cleaners. To remove any accumulation of dust or fluff the soft brush attachment of a vacuum cleaner should occasionally be used to clean the outlet grille of the fan fire.

Water tank

1. Remove water tank, as described earlier, put into sink and empty water.
2. Using the supplied brush gently rub the inside surfaces of the cap paying particular attention to the rubber ring in the outer groove and the centre rubber seal.
3. Put a small quantity of washing up liquid into the tank, refit the cap and shake well, rinse out until all traces of washing up liquid are gone.
4. Refill with tap water with a maximum hardness of 10 dH only, replace the cap, do not overtighten.
5. Do not use a decalcifier when cleaning the appliance, this may shorten the lifetime of the smoke unit.

Sump

1. Press Switch 'A' to the 'OFF' (0) position
2. Gently pull the drawer out as far as possible. (See Fig.3)
3. Remove the water tank by lifting upwards.
4. Disconnect the electrical connector, located on the left side of the sump, by first loosening the two retaining screws and gently withdrawing the connector. (See Fig.8)
5. Release the lower sump locking tabs by turning 90°, this allows the sump to be lifted completely from its location. (See Fig.9)
6. Gently lift up the sump assembly, taking care to keep level so as not to spill any water. Sit the assembly in the sink. (See Fig.10)
7. Release the two upper sump locking tabs by turning 90°, then lift off the sump lid. (See Fig.11)
8. Carefully tilt, as shown, so that the liquid drains out of the sump. (See Fig.12)
9. Put a small amount of washing up liquid into the sump, and using the supplied brush, gently clean all surfaces including the metal disc and the rubber seal located in the top grooved surface. **Do not remove the rubber seals.** (See Fig.13 and 14)
10. When cleaned, thoroughly rinse the sump with clean water.
11. Clean the outlet surface of the sump lid with the brush and flush out thoroughly with water. (See Fig.15 & 16)
12. Reverse the above steps to reassemble.

Air filter.

1. Gently pull the drawer out as far as possible. (See Fig.3).
2. Press Switch 'A' to the 'OFF' (0) position (See Fig.2)
3. Remove the tank and place in a sink with the cap facing upwards.
4. Gently slide upwards the air filter plastic holder. (See Fig.17)
5. Remove the filter combination from the plastic holder.
6. Gently rinse with water in the sink and dry with fabric towel before returning.
7. Replace the filter combination making sure that the coarse black filter is in contact with the plastic holder. (See Fig.18)
8. Replace the tank.
9. Press Switch 'A' to the 'ON' (I) position (See Fig.2).
10. Close the drawer fully.

Additional Information

Recycling.



For electrical products sold within the European Community. At the end of the electrical products useful life it should not be disposed of with household waste. Please recycle where facilities exist. Check with your Local Authority or retailer for recycling advice in your country.

After Sales Service

Your product is guaranteed for one year from the date of purchase. Within this period, we undertake to repair or exchange this product free of charge (excluding lamps & subject to availability) provided it has been installed and operated in accordance with these instructions. Should you require after sales service or should you need to purchase any spares, please contact the retailer from whom the appliance was purchased or contact the service number relevant to your country on the warranty card. Please do not return a faulty product to us in the first instance as this may result in the loss or damage and delay in providing you with a satisfactory service.

Please retain your receipt as proof of purchase.

Troubleshooting

Symptom	Cause	Corrective Action
The flame effect will not start.	<p>Mains plug is not plugged in.</p> <p>Switch A is in the 'ON' (I) position, but mode Switch B has not been pressed. (See Fig.2)</p> <p>Low water level.</p> <p>Low voltage connector not connected properly. (See Fig.8)</p>	<p>Check plug is connected to wall socket correctly.</p> <p>Press Switch B once for flame effect. (See Fig.2)</p> <p>Check the water tank is full and there is water in the sump.</p> <p>Check that the connector is inserted correctly. (See Fig.8)</p>
The flame effect is too low.	<p>Flame effect control knob is set too low. (See Fig.2)</p> <p>The water in the sump may be too high due to the drawer being opened and closed a number of times, water tank removed a number of times, or the fire has been moved.</p> <p>Metal Disc at the base of Sump might be dirty (See Fig.13)</p>	<p>Increase level of flame by turning Control knob C to the left slowly. (See Fig.2)</p> <p>If water level in the sump is more than 40mm, the sump should be removed and emptied in the sink.</p> <p>Clean the Metal Disc with the soft brush supplied. (See Fig.13) See 'Maintenance.' for a step by step procedure.</p>
Unpleasant smell when unit is used.	<p>Dirty or stale water.</p> <p>Using unfiltered tap water.</p>	<p>Clean the unit as described under maintenance.</p> <p>Use tap water with a maximum hardness of 10 dH only.</p>
The flame effect has too much smoke.	<p>Flame effect setting is too high.</p>	<p>Turn the flame effect Control knob C to the right until it is at minimum and slowly turn to the left, about ¼ a turn, at a time. Give the flame generator some time to adjust before increasing. (See Fig.2)</p>
Main lamps are not working and there are no flames or smoke.	<p>There is no water in the tank.</p>	<p>Follow instructions under Maintenance, 'Filling the water tank'.</p> <p>Check the plug is connected to wall socket correctly.</p> <p>Switch 'A' Fig. 2 is in the 'ON' (I) position.</p> <p>Press switch 'B' Fig.2 until you can hear one beep only, for flame effect.</p>

Einleitung

Bitte lesen Sie diese Hinweise für die sichere Inbetriebnahme, den Betrieb und die Wartung des Geräts sorgfältig durch.

Wichtige Sicherheitshinweise

Beim Gebrauch von elektrischen Geräten sollten die grundlegenden Sicherheitsmaßnahmen immer befolgt werden, um das Risiko von Brandbildung, elektrischem Schock und Verletzungen zu minimieren. Das schließt Folgendes ein:

1. ÜBERHITZUNG

ACHTUNG: Um Überhitzungen zu vermeiden, darf das Heizgerät nicht zugedeckt werden. Keine Gegenstände oder Kleidungsstücke auf das Heizgerät legen und die Luftzirkulation um das Heizgerät herum nicht behindern.

Das Heizgerät verfügt über ein Warnschild mit dem Hinweis NICHT BEDECKEN.

2. SCHÄDEN.

Wenn das Gerät beschädigt ist, wenden Sie sich vor einer Installation und Inbetriebnahme an den Händler.

Wenn das Netzkabel beschädigt ist, muss es vom Hersteller, einer Kundendienstvertretung oder einer vergleichbar qualifizierten Person ausgetauscht werden, um Gefahren zu vermeiden.

3. STANDORT

Das Gerät darf nicht im Freien verwendet werden.

Nicht in unmittelbarer Nähe von Bädern, Duschen oder Schwimmbädern verwenden.

Das Heizgerät darf nicht unmittelbar unter einer Wandsteckdose oder einer Anschlussdose angebracht werden.

Möbel, Vorhänge und andere brennbare Stoffe dürfen sich nicht näher als 1 m vor dem Heizgerät befinden.

Zwar erfüllt das Heizgerät die Sicherheitsstandards, jedoch raten wir von einer Benutzung auf hochflorigen Fußbodenbelägen oder Teppichen ab.

4. STECKERPLATZIERUNG

Das Gerät muss so aufgestellt werden, dass der Netzstecker bzw. der Anschlusspunkt Das Stromversorgungskabel nicht in der Nähe der Vorderseite des Geräts verlegen.

5. VERWENDUNG ANDERER BEDIENELEMENTE

Das Heizgerät nicht zu einer Wärmeregulierung, einer Programmsteuerung, einer Zeitschaltuhr oder einem anderen Gerät in Reihe schalten, mit dem die Wärmequelle automatisch geschaltet wird. Bei versehentlicher Blockierung oder Verstellung des Heizgeräts besteht Brandgefahr.

6. NETZSTECKER ZIEHEN

Ziehen Sie bei einem Fehler den Netzstecker des Geräts oder trennen Sie das Gerät.

Ziehen Sie den Netzstecker des Geräts oder trennen Sie das Gerät, wenn es längere Zeit

7. BESITZER/ANWENDER

Dieses Gerät kann von Kindern über 8 Jahren, von Personen, deren körperliche oder geistige Unversehrtheit oder deren Wahrnehmungsfähigkeit eingeschränkt ist, sowie von Personen mit mangelnden Kenntnissen oder Erfahrung benutzt werden. Dies gilt nur unter der Voraussetzung, dass sie beaufsichtigt werden oder dass sie eine Einweisung in die sichere Nutzung des Geräts und die damit verbundenen Gefahren erhalten haben. Kinder dürfen mit dem Gerät nicht spielen. Reinigung und Wartung dürfen ohne Beaufsichtigung nicht von Kindern durchgeführt werden.

Kinder unter 3 Jahren sollten sich ohne Beaufsichtigung nicht in der Nähe des Geräts aufhalten. Kinder von 3 bis 8 Jahren sollten das Gerät nur ein- oder ausschalten dürfen, wenn es in der dafür vorgesehenen Betriebsposition montiert wurde. Dies gilt nur unter der Voraussetzung, dass sie beaufsichtigt werden oder dass sie eine Einweisung in die sichere Nutzung des Geräts und die damit verbundenen Gefahren erhalten haben. Kinder von 3 bis 8 Jahren dürfen das Gerät nicht an eine Steckdose anschließen, benutzen bzw. reinigen oder das Gerät warten.

8. STROMANSCHLUSS

WARNUNG – DIESES GERÄT MUSS GEERDET WERDEN.

Das Heizgerät darf nur an eine Wechselstromversorgung angeschlossen werden. Die auf dem Gerät angegebene Spannung muss mit der Versorgungsspannung übereinstimmen.

Lesen Sie vor dem Einschalten die Sicherheitshinweise und die Bedienungsanleitung durch.

ACHTUNG - Einige Bauteile dieses Produkts können sehr heiß werden und Verbrennungen verursachen. Achten Sie besonders darauf, wenn Kinder oder schutzbedürftige Personen anwesend sind.

Allgemeines

Den ElektroKamin vorsichtig auspacken und die Verpackung für spätere Zwecke aufbewahren, z. B. für einen Umzug oder für die Rücksendung an den Händler. Die Fernbedienung und die Batterien sind separat im Karton verpackt.

Der ElektroKamin ist mit einem Feuereffekt ausgestattet, der mit oder ohne Heizfunktion verwendet werden kann. Sie können somit das ganze Jahr über eine gemütliche Atmosphäre schaffen. Der Feuereffekt verbraucht bei ausgeschalteter Heizfunktion nur wenig elektrische Energie.

Dieses Modell ist für den Einbau in einer Umrandung oder in der Einbauöffnung einer Wand vorgesehen.

Vor dem Anschluss des ElektroKamins immer prüfen, ob die Versorgungsspannung mit den Angaben auf dem Kamin übereinstimmt. Bitte beachten: Bei Verwendung in Umgebungen mit wenigen Hintergrundgeräuschen sind Betriebsgeräusche aufgrund des Feuereffekts unter Umständen hörbar. Dies ist normal und kein Grund zur Beunruhigung.

Elektrischer Anschluss.

WARNUNG – DIESES GERÄT MUSS GEERDET WERDEN.

Dieser ElektroKamin darf nur an eine Wechselstromversorgung (abgekürzt AC) angeschlossen werden. Die auf dem Kamin angegebene Spannung muss mit der Versorgungsspannung übereinstimmen.

Lesen Sie vor dem Einschalten die Sicherheitshinweise und die Bedienungsanleitung durch.

DIE VORLIEGENDE ANLEITUNG BITTE ZU NACHSCHLAGEZWECKEN AUFBEWAHREN

Kunststoffteile nicht in eine Spülmaschine einräumen.

Ziehen Sie die Lade nur zum Auffüllen des Wassertanks oder für einen Lampenwechsel heraus, denn andernfalls verändern Sie dadurch versehentlich den Wasserstand und die Funktionsweise des Feuereffekts.

Verwenden Sie in diesem Gerät nur Leitungswasser mit einer maximalen Härte von 10 dH.

Achten Sie immer darauf, dass der Kamin auf ebenem Untergrund steht.

Falls das Gerät länger als 2 Wochen nicht benutzt wird, muss das Wasser aus dem Sumpf und Wassertank abgelassen und der Sumpf getrocknet werden.

Nach der Installation darf dieser Kamin nicht transportiert oder auf die Rückseite gelegt werden, ohne dass zuvor das Wasser aus dem Sumpf und Wassertank abgelassen wurde.

Einmal alle zwei Wochen müssen der Wassertank, Sumpf, der Sumpfdeckel, Tankdeckel und die Luftfilter gereinigt werden, insbesondere in Regionen mit hartem Wasser.

Der Kamin darf auf keinen Fall in Betrieb gesetzt werden, wenn die Lampen nicht funktionieren.

Die Lampen sind wie unter 'Wartung' und 'Lampenwechsel' erläutert regelmäßig zu überprüfen.

Installationsanleitung

Das Verpackungsmaterial von sämtlichen Teilen entfernen (eventuelle Aufkleber mit Warnhinweisen beachten). Das Verpackungsmaterial für spätere Zwecke aufbewahren, z. B. für einen Umzug oder für die Rücksendung an den Händler.

Um Wärmeverluste und den negativen Einfluss eines eventuellen Kaminabzugs nach oben auf den Gerätebetrieb zu vermeiden, empfehlen wir eine Blockierung des Kaminabzugs bis auf einen kleinen Spalt, der für Entlüftungszwecke benötigt wird.

Installation des Geräts

Den Kamin seitlich festhalten und vorsichtig in Einbaulage manövrieren. Den Kamin an eine Steckdose anschließen, die mit 13 A/240 V versorgt wird. Das Netzkabel muss an der Vorderseite des Kamins rechts oder links in der Ecke auf möglichst kurzem Wege zur Steckdose austreten und darf nicht unter dem Kamineinsatz eingeklemmt werden, da es hierdurch beschädigt werden kann.

Lesen Sie vor dem Einschalten die folgenden Anweisungen durch.

Vor dem Betätigen der manuellen Bedienelemente muss zuerst der Wassertank befüllt werden (siehe 'Wartung' und 'Wassertank auffüllen').

Manuelle Bedienelemente

Manuelle Bedienelemente

Die manuellen Bedienelemente sind hinter der Lade angeordnet.

(Anordnung der manuellen Bedienelemente, siehe Abb.2)

Schalter 'A': Regelt die Energieversorgung zum Kamin.

Hinweis: Dieser Schalter muss auf Position 'ON' (I) stehen, damit der elektrische Kamin mit betrieben werden kann.

Schalter 'B': Regelt die Kaminfunktion.

Einmal drücken , um den Feuereffekt einzuschalten. Dies wird durch Ausgabe eines Pieptons signalisiert.

Zwar reagieren die Hauptleuchten sofort, allerdings dauert die Aktivierung des Feuereffekts weitere 30 Sekunden.

Drücken  Sie auf , um den Kamin auf Standby zu schalten.

Dies wird durch Ausgabe eines Pieptons signalisiert.

Drehregler 'C': Stellt die Stärke des Feuereffekts ein.

Durch höher Stellen des Reglers verstärkt sich der Feuereffekt und durch kleiner Stellen lodern die Flammen niedriger.

Wenn der Wassertank leer ist, gehen die Hauptleuchten aus. Lese Sie dazu die Anweisungen unter „Wartung“,

„Wassertank auffüllen“. Im Anschluss daran leuchten die Hauptleuchten zwar wieder, jedoch dauert es weitere 30 Sekunden, bis die Flammen wieder lodern.

Betrieb über die Fernbedienung

Am Bedienfeld muss Schalter A (siehe Abb.2) auf Position 'ON' (I) stehen, damit das Gerät über die Fernbedienung gesteuert werden kann. Auf der Fernbedienung befinden sich 2 Tasten. (Siehe Abb.7)

Zum korrekten Betrieb muss die Fernbedienung nach vorne in Richtung Gluteffekt gehalten werden.

Die Fernbedienung besitzt folgende Funktionen:

-  **Einmal drücken, um nur den Feuereffekt (ohne Wärmeabgabe) einzuschalten.**
Dies wird durch Ausgabe eines Pieptons signalisiert.
-  **Standby**
Dies wird durch Ausgabe eines Pieptons signalisiert.

Batterie

1. Den Batteriedeckel auf der Rückseite der Fernbedienung abnehmen. (Siehe Abb.7)
2. Die AAA-Batterien in die Fernbedienung einsetzen.
3. Den Batteriedeckel wieder anbringen.

Entsorgung ausgelaufener Batterien

Batterien nicht im Hausmüll entsorgen, sondern bei einer vorschriftsmäßigen Sammelstelle abgeben.

Batterien können auslaufen, wenn sie mit anderen Batterietypen gemischt, falsch herum eingesetzt, nicht alle Batterien gleichzeitig ausgewechselt, ins Feuer geworfen werden, oder wenn versucht wird, eine nicht aufladbare Batterie aufzuladen.

Tipps für die Gerätenutzung

1. Ziehen Sie die Lade nur zum Auffüllen des Wassertanks oder für einen Lampenwechsel heraus. Andernfalls kann sich dadurch zu viel Wasser im Sumpf sammeln und die Flammen des Feuereffekts werden kleiner. In diesem Fall müssen Sie das Wasser aus dem Sumpf ablassen, wie unter „Wartung“ in dieser Anleitung erläutert wird.
2. Bei kleinster Flammeneinstellung verbraucht das Gerät etwa 40 ml Wasser pro Stunde und lässt sich dadurch 3 mal länger als bei maximaler Flammenhöhe betreiben.
3. Wenn sich Wasser im Tank oder Sumpf befindet, darf der Kamin nicht gekippt oder versetzt werden.
4. Der Kamin muss auf einem ebenem Untergrund stehen.
5. Für einen realistischen Feuereffekt kann der Flammenregler 'C' (Abb.2) höher oder niedriger eingestellt werden.
6. Die Flammen erscheinen realistischer, wenn der Flammenregler kleiner eingestellt wird.
7. Warten Sie einen Moment, bis der Flammengenerator auf die veränderte Flammenreglereinstellung reagiert hat.

Wartung

WARNUNG: VOR WARTUNGSARBEITEN IMMER DEN NETZSTECKER ZIEHEN

Lampenwechsel

Wenn der Rauch größtenteils grau oder farblos erscheint, sind unter Umständen eine oder mehrere Lampen defekt. Die Lampen können Sie folgendermaßen auf Funktion prüfen.

1. Lassen Sie den Feuereffekt eingeschaltet, öffnen Sie die Lade bis zum Anschlag, und ziehen Sie die Lade am Griff komplett heraus. (Siehe Abb.3)
2. Sehen Sie sich die Lampen aus der Entfernung vorne am Kamin an, und stellen Sie fest, welche Lampe gewechselt werden muss.
3. Stellen Sie Schalter 'A' auf Position 'OFF' und ziehen Sie den Netzstecker des Kamins aus der Steckdose.
4. Lassen Sie das Gerät 20 Minuten lang ausgeschaltet, damit sich die Lampen vor dem Ausbau abkühlen können.
5. Heben Sie den Wassertank nach oben heraus und legen Sie ihn in ein Waschbecken.
6. Bauen Sie den Sumpf aus, wie im Abschnitt „Reinigung“ erläutert.
7. Ziehen Sie die defekte Lampe mit den Kontaktstiften vorsichtig nach oben aus dem Lampensockel heraus (siehe Abb.4 und 5). Bauen Sie als Ersatzlampe eine Original-Farblampe mit 12 V, 45 W, Sockel Gu5.3 mit 8° Abstrahlwinkel ein. Lampen erhalten Sie bei Ihrem Fachhändler.
8. Führen Sie die beiden Kontaktstifte der neuen Lampe in die beiden Öffnungen des Lampensockels ein und schieben Sie sie bis zum Anschlag hinein. (Siehe Abb.4 und 5.)
9. Setzen Sie den Sumpf und Wassertank wieder ein, und schließen Sie die Lade wieder.
10. Schalten Sie das Gerät ein.

Wassertank auffüllen

Wenn der Wassertank leer ist, schalten sich die Feuer- und Raucheffekte ab und es werden 2 Pieptöne ausgegeben. Folgendermaßen nachfüllen:

1. Schalter 'A' auf (0) stellen. (Siehe Abb.2)
2. Die Lade am Griff bis zum Anschlag herausziehen. (Siehe Abb.3)
3. Den Wassertank nach oben aus dem Gerät herausheben.
4. Den Wassertank in ein Waschbecken legen und den Tankdeckel gegen den Uhrzeigersinn abschrauben. (Siehe

Abb.6)

5. Im Tank **Leitungswasser mit einer maximalen Härte von 10 dH nachfüllen**. Dadurch verlängert sich die Lebensdauer des Rauch- und Flammengenerators.

Bei einem höheren Wasserhärtegrad sollte das Wasser gefiltert werden (z. B. mit einem Maxtra Filter). **Keinen Entkalker benutzen.**

6. Den Deckel wieder festschrauben, **aber nicht überdrehen**.

7. Den Tank wieder in den Auffangbehälter gebrauchten einsetzen. Der Tankdeckel muss dabei nach unten und die flache Tankseite nach außen zeigen.

8. Schalter 'B' einmal drücken, um den Feuereffekt einzuschalten. (Siehe Abschnitt „manuelle Bedienelemente“ sowie Abb.2).

9. Schalter 'A' auf 'ON' (I) stellen. (Siehe Abb.2)

10. Die Lade sachte bis zum Anschlag hineinschieben.

Reinigung

WARNUNG - VOR DEM REINIGEN DES KAMINS IMMER ZUERST DEN NETZSTECKER ZIEHEN.

Bei folgenden Teilen empfehlen wir eine regelmäßige Reinigung alle 2 Wochen, insbesondere in Regionen mit hartem Wasser:

Wassertank, Auffangbehälter und Dichtung, Auffangbehälter deckel, Tankdeckel und -dichtung, Luftfilter.

Zum Reinigen allgemein immer ein weiches, sauberes Staubtuch benutzen, auf keinen Fall Scheuermittel verwenden.

Um angesammelten Staub oder Flusen zu entfernen, kann gelegentlich ein Staubsauger mit weichem Bürstenaufsatz zum Reinigen des Auslassgitters am Kamingebläse verwendet werden.

Wassertank

1. Den Tank - wie zuvor erläutert - ausbauen, in ein Waschbecken legen und das Wasser ablassen.

2. Mit der beigegefügte Bürste die Innenflächen des Deckels sanft abbürsten. Dabei besonders den Gummiring in der Außennut und die Gummidichtung in der Mitte sauber bürsten.

3. Eine sparsame Menge Spülmittel in den Tank füllen, den Deckel festschrauben und gut schütteln. Das Spülmittel komplett wieder ausspülen, bis davon keine Spuren im Abwasser mehr zu sehen sind.

4. Ausschließlich Leitungswasser mit einer maximalen Härte von 10 dH nachfüllen, den Deckel wieder anbringen und nicht überdrehen.

5. Beim Reinigen des Geräts keinen Entkalker verwenden, denn dadurch könnte sich die Lebensdauer des Rauchgenerators verkürzen.

Auffangbehälter

1. Schalter 'A' auf 'OFF' (0) stellen.

2. Die Lade sachte bis zum Anschlag herausziehen. (Siehe Abb.3)

3. Den Wassertank nach oben herausheben.

4. Den Stecker aus der Anschlussbuchse auf der linken Seite des Auffangbehälter ziehen. Dazu zuerst die beiden Sicherungsschrauben lösen und anschließend den Stecker vorsichtig herausziehen. (Siehe Abb.8)

5. Die Sicherungskralen unten am Auffangbehälter gebrauchten um 90° drehen. Der Auffangbehälter kann nun komplett aus der Einbaulage herausgehoben werden. (Siehe Abb.9)

6. Den Auffangbehälter vorsichtig und möglichst waagrecht herausheben, damit kein Wasser verschüttet wird. Das gesamte Bauteil in ein Waschbecken stellen. (Siehe Abb.10)

7. Die beiden Sicherungskralen oben am Auffangbehälter gebrauchten um 90° drehen und den Auffangbehälter deckel abnehmen. (Siehe Abb.11)

8. Wie in der Abbildung zu sehen, vorsichtig seitlich kippen, damit die Flüssigkeit aus dem Auffangbehälter ablaufen kann. (Siehe Abb.12)

9. Etwas Spülmittel in den Auffangbehälter füllen und mit der beigegefügte Bürste sämtliche Flächen reinigen, auch die Metallscheibe und die Gummidichtung, die in der Nut auf der Oberseite verlegt ist. **Die Gummidichtungen nicht ausbauen.** (Siehe Abb.13 und 14.)

10. Nach dem Reinigen den Auffangbehälter mit klarem Wasser gründlich ausspülen.

11. Die Auslassfläche am Auffangbehälter deckel mit der Bürste säubern und mit Wasser gründlich spülen. (Siehe Abb.15 & 16)

12. Beim Zusammenbau die obigen Schritte in umgekehrter Reihenfolge befolgen.

Luftfilter

1. Die Lade sachte bis zum Anschlag herausziehen. (Siehe Abb.3)

2. Schalter 'A' auf 'OFF' (0) stellen (siehe Abb.2).

3. Den Tank herausnehmen und mit dem Deckel nach oben in ein Waschbecken stellen.

4. Die Kunststoffhalterung des Luftfilters vorsichtig nach oben herausziehen. (Siehe Abb.17)

5. Den Filter komplett aus der Kunststoffhalterung herausnehmen.

6. Vorsichtig mit Wasser im Waschbecken ausspülen und vor dem Einsetzen mit einem Handtuch abtrocknen.

7. Den Filter komplett wieder einsetzen und darauf achten, dass der grobe schwarze Filter Kontakt mit der Kunststoffhalterung hat. (Siehe Abb.18)

8. Den Tank wieder einsetzen.
9. Schalter 'A' auf 'ON' (I) stellen (siehe Abb.2).
10. Die Lade wieder ganz schließen.

Weitere Informationen

Wiederverwertung.



Recycling-Regelung für Elektroprodukte, die innerhalb der europäischen Gemeinschaft verkauft werden. Elektrogeräte dürfen am Ende ihrer Nutzungsdauer nicht im regulären Haushaltsmüll entsorgt werden. Sie müssen einer entsprechenden Recycling-Sammelstelle zugeführt werden. Entsprechende Hinweise zu Annahmestellen erhalten Sie bei Ihrer Gemeinde oder Ihrem Fachhändler.

Kundendienst

Für dieses Produkt gilt eine Garantie von einem Jahr ab Kaufdatum. Innerhalb dieses Zeitraums verpflichten wir uns, Reparaturen oder einen Gerätetausch kostenlos durchzuführen (ausgenommen Lampen und abhängig von der Verfügbarkeit), sofern gewährleistet ist, dass die vorliegenden Anweisungen bei der Installation und Bedienung beachtet wurden. Falls Sie unseren Kundendienst in Anspruch nehmen möchten oder Ersatzteile benötigen, wenden Sie sich bitte an den Fachhändler, bei dem das Gerät gekauft wurde, oder rufen Sie unter der Servicenummer an, die für Ihr Land auf der Garantiekarte angegeben ist. Fehlerhafte Geräte sollten Sie aber nicht direkt an uns zurückschicken, da es hierbei zu Verlusten, Beschädigungen oder Verzögerungen kommen und Ihr Problem nicht zufriedenstellend gelöst werden kann.

Bewahren Sie Ihre Quittung bitte als Kaufnachweis auf.

Fehlerdiagnose

Symptom	Ursache	Abhilfe
Der Feuereffekt lässt sich nicht einschalten.	<p>Netzstecker ist nicht angeschlossen.</p> <p>Schalter A steht auf 'ON' (I) aber der Schalter B wurde nicht gedrückt. (Siehe Abb.2)</p> <p>Wenig Wasser.</p> <p>Niederspannungsstecker nicht richtig angeschlossen. (Siehe Abb.8)</p>	<p>Prüfen, ob der Netzstecker richtig an die Steckdose angeschlossen ist.</p> <p>Schalter 'B' einmal betätigen, um den Feuereffekt einzuschalten. (Siehe Abb.2)</p> <p>Prüfen Sie, ob der Wassertank gefüllt ist und ob sich Wasser im Auffangbehälter befindet.</p> <p>Kontrollieren, ob der Stecker korrekt angeschlossen ist. (Siehe Abb.8)</p>
Der Feuereffekt arbeitet zu niedrig.	<p>Der Drehregler für den Feuereffekt ist sehr niedrig eingestellt. (Siehe Abb.2)</p> <p>Das Wasser im Auffangbehälter steht unter Umständen zu hoch, weil die Lade häufiger geöffnet und geschlossen wurde, der Wassertank mehrmals herausgenommen oder der Kamin versetzt wurde.</p> <p>Unter Umständen ist die Metallscheibe am Boden des Auffangbehälter verschmutzt (siehe Abb.13)</p>	<p>Den Drehregler 'C' langsam nach links drehen, um die Flammen höher zu stellen. (Siehe Abb.2)</p> <p>Ist der Wasserstand im Auffangbehälter höher als 40 mm, sollte er ausgebaut und in einem Waschbecken entleert werden.</p> <p>Die Metallscheibe mit der beigefügten weichen Bürste reinigen. (Siehe Abb.13). Die schrittweise gegliederten Anweisungen finden Sie im Abschnitt 'Wartung'.</p>
Unangenehmer Geruch während des Betriebs.	Verschmutztes oder abgestandenes Wasser. Ungefiltertes Leitungswasser benutzt.	<p>Das Gerät wie im Wartungsabschnitt erläutert reinigen.</p> <p>Nur Leitungswasser mit einer maximalen Härte von 10 dH benutzen.</p>
Der Feuereffekt stößt zu viel Rauch aus.	Der Feuereffekt ist zu stark eingestellt.	<p>Den Drehregler C für den Feuereffekt nach rechts bis auf Minimaleinstellung zurückdrehen. Anschließend langsam jeweils ca. ¼ Drehung nach links drehen. Etwas warten, bis der Flammengenerator reagieren kann, bevor Sie die Flammen höher stellen. (Siehe Abb.2)</p>
Die Hauptlampen funktionieren nicht, und es sind weder Flammen noch Rauch zu sehen.	Es ist kein Wasser im Tank.	<p>Befolgen Sie die Anweisungen unter Wartung, 'Wassertank auffüllen'.</p> <p>Prüfen Sie, ob der Netzstecker richtig an die Steckdose angeschlossen ist.</p> <p>Schalter 'A' (Abb.2) steht auf 'ON' (I).</p> <p>Drücken Sie Schalter 'B' (Abb.2), bis ein einzelner Signalton für den Feuereffekt zu hören ist.</p>

