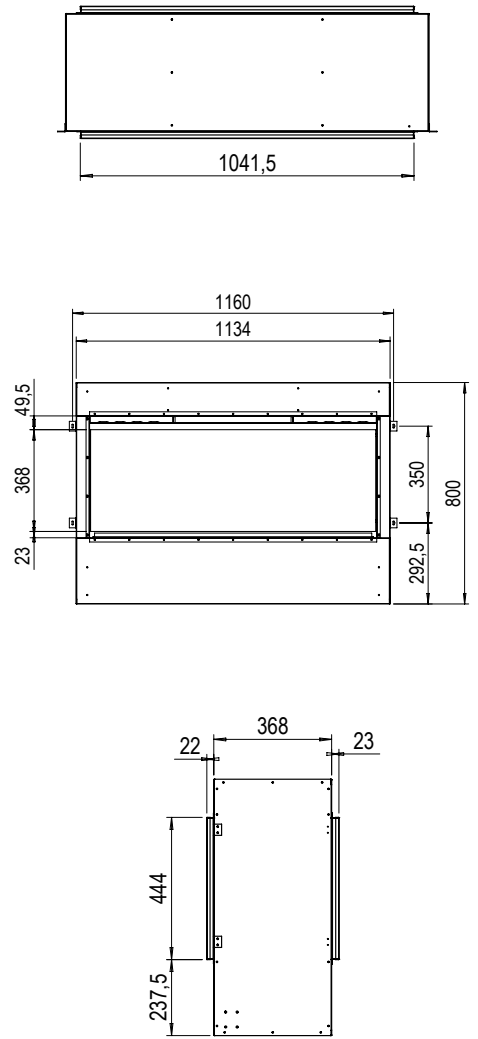


e-BoX Faber | 1000/450 I



Specifications e-BoX Faber 1000/450 I

Type	Built-in
Model	Front model
Exterior dimensions WxHxD in mm	1160 x 800 x 402
Fire display WxHxD in mm	1040 x 440
System	e-Matrix burner
Decoration	Log set or Carrara pebbles or Acrylic ice
Back walls	Smooth steel
Remote	e-Matrix heat
Power (kW)	1
Operating system	N/A
Energy label	N/A

DECORATION OPTIONS



There is **so much to tell...**

For more information, please take a look at the website

www.faberfires.com