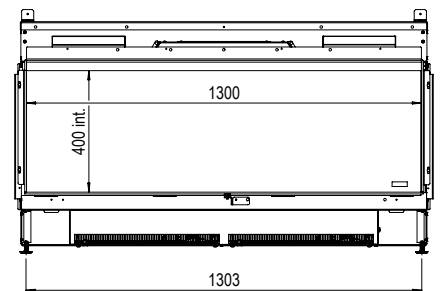
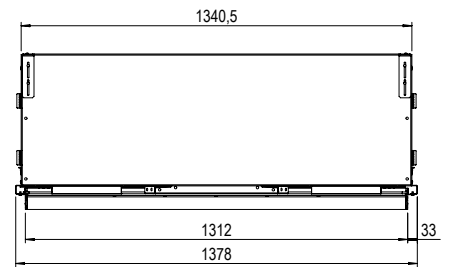
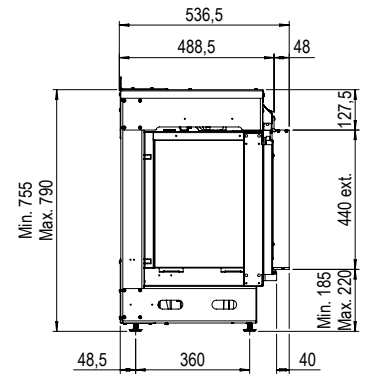


LINEAR FIRE

e-MatriX | 1300/400 I



Specifications e-MatriX 1300/400 I

Type	Built-in
Model	Frontmodel
Exterior dimensions WxHxD in mm	1378 x 755 x 537
Fire display WxHxD in mm	1300 x 400
System	e-MatriX burner
Decoration	Log set or Carrara pebbles or Acrylic ice
Back walls	Smooth steel
Remote	e-MatriX/app
Power (kW)	2
Operating system	N/A
Energy label	N/A

DECORATION OPTIONS



OPTIONS

- Anti-reflective glass
- Glass back wall black
- Top lighting
- Under lighting
- Wall brackets
- Pump kit

There is **so much to tell...**

For more information, please take a look at the website

www.faberfires.com