

**ELEKTRYCZNY PRZEPŁYWOWY PODGRZEWACZ WODY**

**ELECTRIC INSTANTANEOUS WATER HEATER**

**ELEKTRISCHER DURCHLAUFERHITZER**

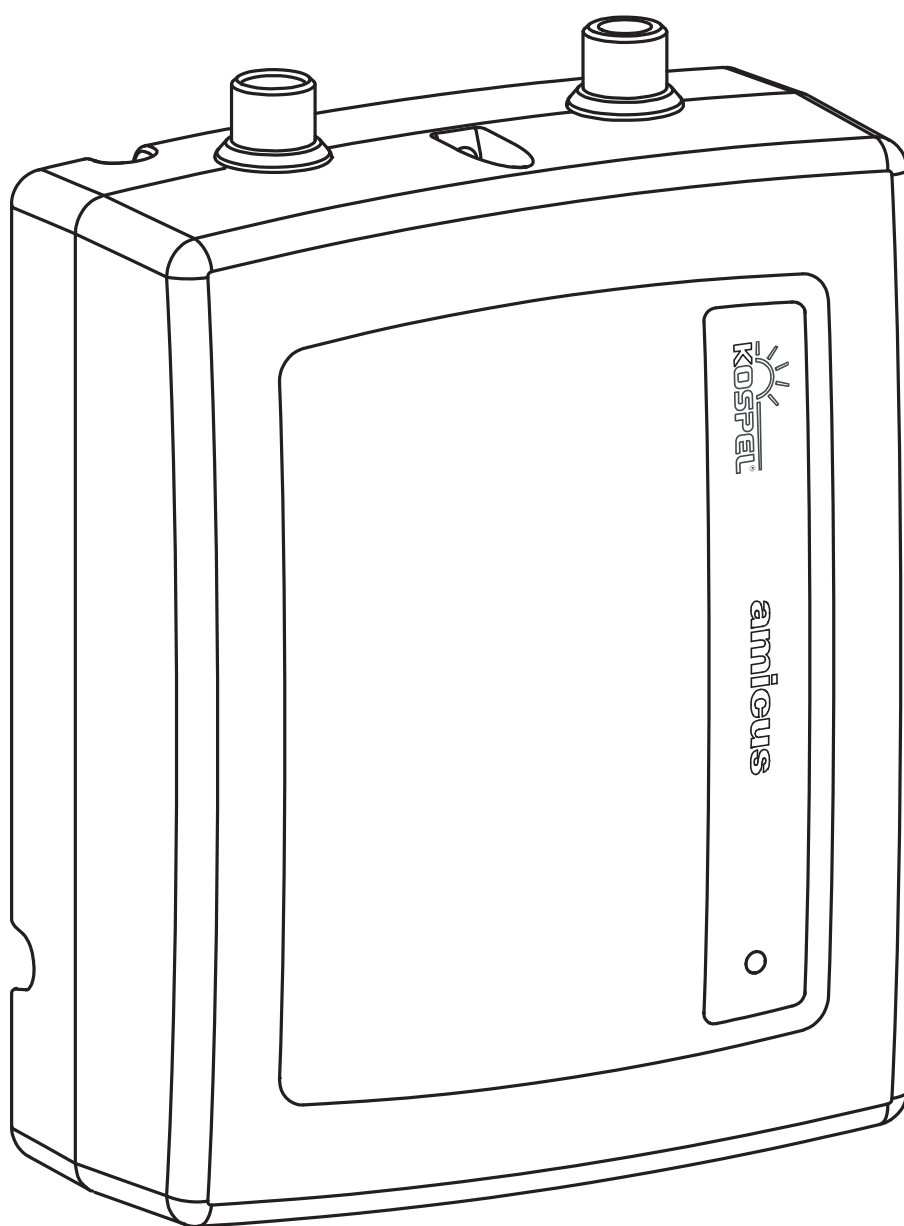
**CHAUFFE-EAU ÉLECTRIQUE INSTANTANÉ**

PL

GB

DE

FR



**EPO2**

## Safety instructions

---

1. Read and strictly follow the installation and operating instructions to ensure a long life and reliable unit operation.
2. The unit can only be used when in perfect technical condition and correctly installed.
3. The unit should always be vented before initial start-up. Vent the unit each time after the water has been emptied from the heater or pipes (e.g. when water supply system has been repaired or maintained). See „Venting” section for details.
4. Connection to electrical system and measurement of fire protection effectiveness should be made by a qualified person.
5. The unit must be earthed.
6. The unit must be permanently connected to the mains which is equipped with an earthing terminal
7. Electric installation should be equipped with residual current protective devices and other solutions which will ensure disconnecting the heater from the source of power (intervals between all their poles should not be less than 3 mm).
8. The unit must never be installed in a area where there is risk of explosion.
9. It is not recommended to use thermostatic mixers.
10. The unit must never be exposed to temperatures below 0°C
11. The unit can only be connected to the cold water supplies.
12. Do not use when the water has been emptied from the unit or pipes (e.g. when water supply system has been repaired or maintained).
13. Unit's cover must not be taken off while power is on.
14. Failure to install the filter on water supply pipe can cause unit damage.
15. Accumulation of limescale in parts of the water heater may cause limited water flow and failure of the water heater. Failure of the heater and damages caused by the limescale will not be covered by the warranty. The water heaters and fittings must be descaled on the regular basis, the frequency of limescale removal depending on the quality of water.
16. Appropriate precaution must be taken while using hot water. Temperature of water over 40°C may cause scalding and be dangerous for children.

*This appliance is not intended for use by persons (including children) with reduced physical, sensory or mental capabilities or lack of experience and knowledge, unless they have been given supervision or instructions concerning use of the appliance by a person responsible for their safety.*

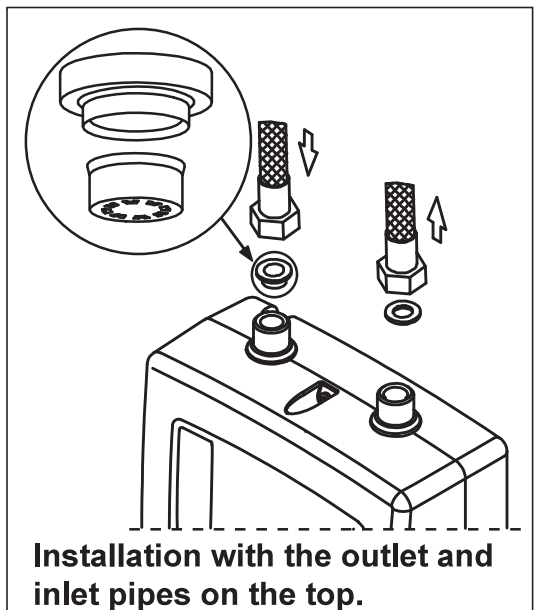
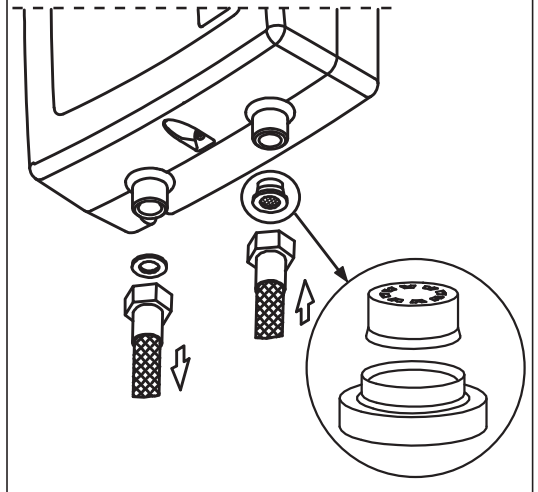
*Children, should be supervised to ensure that they do not play with the appliance.*

---

## Installation – Assembly

1. Install the water system pipes and electric supply cables in accordance with the relevant regulations.
2. Take off the unit's cover: undo the screws, slide the cover off starting from the inlet and outlet side.
3. Fix the unit in vertical position with the inlet and outlet on the top, or on the bottom, as in the picture.
4. Connect (e.g. using flexible hoses) cold water to the inlet pipe inserting a filter in between and connect hot water to the outlet pipe.
5. Open the cold water valve and check for leaks.
6. Vent the installation according to the „Venting” section.
7. Connect the unit to electric installation in accordance with markings, tighten cable clamp to secure cable from slipping.
8. Put the unit's cover back.
9. Make sure that there is no access to live parts through the holes at the back plate.

Installation with the outlet and inlet pipes on the bottom.



Installation with the outlet and inlet pipes on the top.

flow restriction insert	
EPO.2 - 3,5	black 1,9 l/min.
EPO.2 - 4,4	green 2,5 l/min.
EPO.2 - 5,5/6	violet 3,4 l/min

## Venting

1. **Shut off electric supply.**
2. Open the hot water tap in order to vent the water installation (for about 15-30 seconds), until the flow of water becomes constant and even.
3. Close the valve.
4. Switch electric supply on.

***Do this each time any pipework has been disrupted.***

## Operating

---

The unit is equipped with a differential pressure switch. It switches heating automatically when there is a proper water flow through the unit. There is a heating indicator light on the housing of the unit.

## Maintenance

---

1. Cut off power and cold water supplies.
2. Undo the fittings on the inlet pipe.
3. Take the filter out from the fittings at the cold water inlet.
4. Clean and install the filter in the former position.
5. Connect cold water supply pipe with the inlet pipe.
6. Open the cut-off valve on cold water supply pipe - check connections for leaks.
7. Vent the unit and water system.

## Technical data

---

Water heater		EPO2-3	EPO2-4	EPO2-5	EPO2-6
Rated power	kW	3,5	4,4	5,5	6,0
Rated voltage		230V~			
Power consumption	A	15,2	19,1	23,9	26,1
Supply water pressure	MPa	0,12 ÷ 0,6			
Operating point	l/min	1,2	1,6	2,0	
Efficiency (at $\Delta t = 30^{\circ}\text{C}$ )	l/min	1,7	2,1	2,6	2,9
Overall dimension (height x width x depth)	mm	225 x 170 x 75			
Weight	kg	1,2			
Min. connecting wires section	mm <sup>2</sup>	3 x 1,5	3 x 2,5		3 x 4
The maximum allowed network impedance	$\Omega$		0,34	0,31	0,29
Min. resistivity of water at temperature 15°C	$\Omega\text{cm}$	1100			
Water supply pipe section		G 3/8" (distance between inlet and outlet 80mm)			