

PFHE Garage Fan Heater



Technical Details

Controls	Digitally controlled, accurate electronic thermostat. Timer modes: 7 Day Programmable User Timer Continuous heat modes: Manual, Runback, Fan Only, Off
Controller UI	Button to initiate pairing with Bluetooth remote
Controller Functions	<ul style="list-style-type: none"> Heat Selection: High, Low, Fan Only Adaptive-Start Advance Time Period Adjustable SP range (7-32°C) Bluetooth for control
Construction	Injection moulded PA6 nylon chassis, connected via ball and socket
Element	2 stage radial stitched element (1500/1500)
Fan Type	Axial
Installation	Supplied with wall mounting bracket. Wall bracket allowing 120° adjustment horizontally, 40° vertically
Safety	Thermal cut-out. Electrical reset type over-heat detection
IP Rating	Not rated
Battery Backup	None. Time and date must be re-programmed in event of power loss to the product
Supply	2 core for fused spur installation, 1/N -230-240 V, 50Hz Class II. Direct wired
Colour / Finish	Grey

Mode/Item No.(EAN-Code 5011139+Item No.)	060334 PFH30E
Output (kW)	3.0
Air Flow (mm³/h)	200
Noise dB (A) @1m	24 (Full Load)
Max Air Temp (° C) @ 0.5m	58
Height (mm)	378
Width (mm)	230
Depth (mm)	226
Weight (kg)	1.7

Packaging Details

Height (mm)	406
Width (mm)	260
Depth (mm)	183
Packed Weight (kg)	2
Ti	20
Hi	5
Pallet Quantity (2.4m high)	100

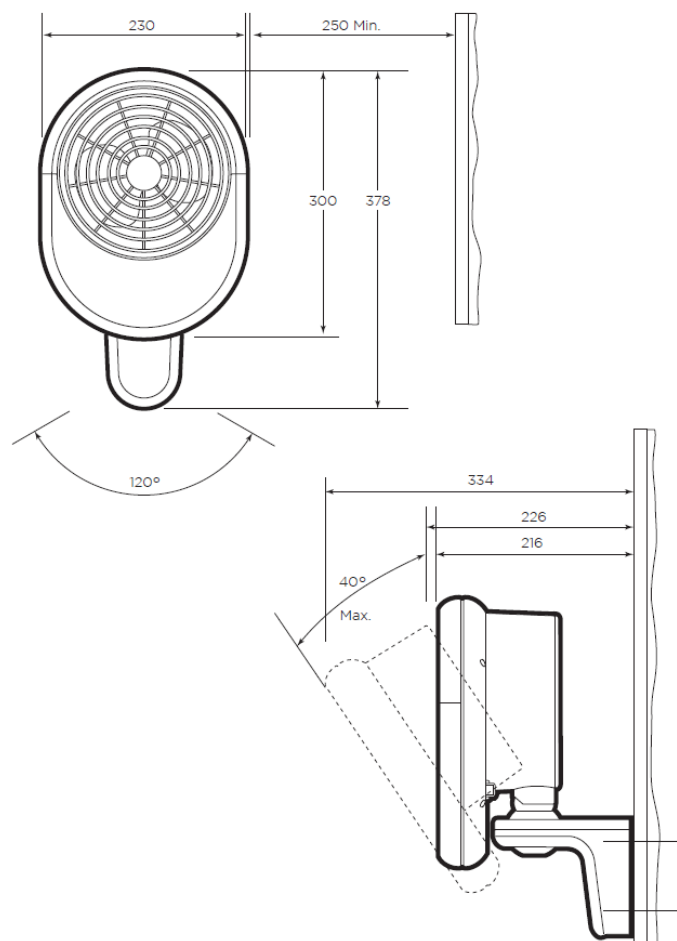
Product Description

PFHE features an electronic thermostat for temperature-based heating activation. The PFHE also features a built-in 7 day timer which can be set up and activated via Bluetooth remote

Key Features

- User programmable temperatures with seven-day timer (programmed via Bluetooth remote)
- Accurate electronic thermostat
- Features energy-saving technology Adaptive Start
- Same size and fixings as older Dimplex PFH heaters
- Complies with Lot 20 of ERP Directive
- For intermittent use only

Dimensions



Warranty & Approvals

Approvals	CE, BEAB
Warranty	2 Years
Country of Origin	United Kingdom
Manufacturer	Glen Dimplex Heating & Ventilation (GDC Group Ltd)