

DX 410E - DX 430E

Dimplex



**Montage- und
Gebrauchsanweisung**

Deutsch

**Installation and
Operating Instructions**

English

**Instructions de montage
et d'utilisation**

Français

**Istruzioni d'uso
e di montaggio**

Italiano

**Montage- en
gebruiksaanwijzing**

Nederlands

**Instrukcja montażu
i użytkowania**

Polski

Wandkonvektor

Convector heater

Convecteur muraux

Convettore a parete

Wandconvector

Konwektor ścienny

1. Notes for the user

i NOTE

Dear customer,
Keep these instructions in a safe place and pass them on to possible future owners.

⚠ CAUTION!

This device can be used by children aged 8 and over and by persons with limited physical, sensory or mental aptitude or lack of experience and/or knowledge, providing they are supervised or have been instructed in the safe use of the device and understand the associated potential dangers. Children must not play with the device. Cleaning and user maintenance may not be carried out by children without supervision!

⚠ CAUTION!

Children younger than 3 years of age must be kept away unless they are supervised constantly. Children between the ages of 3 and 8 may switch the device on and off if they are supervised or have been instructed in the safe use of the device and have understood the resulting dangers, providing that the device is positioned or installed in its normal place of use!

⚠ CAUTION!

Children between the ages of 3 and 8 may not switch on the device, clean the device or carry out maintenance!

⚠ CAUTION!

The device carries the symbol shown on the right, which indicates that the heating device must under no circumstances be covered with any objects.



⚠ CAUTION!

Some parts of the device can get very hot and cause burns. Particular caution must be taken with children or vulnerable people!

⚠ CAUTION!

Do not operate the heating device in rooms where highly inflammable substances are used (e.g. solvents).

⚠ CAUTION!

Install the device in such a manner that it cannot be touched by a person in the bathtub or under the shower.

⚠ CAUTION!

If the power cable is damaged, it must be replaced by the manufacturer or after-sales service representative or a person with comparable qualifications for switching off danger sources!

⚠ CAUTION!

Rooms can become overheated if left unattended whilst being heated. Persons who are not able to vacate the room if the temperature becomes too high can thus be placed in danger.

⚠ CAUTION!

In order to avoid a hazard due to inadvertent resetting of the thermal cut-out, this appliance must not be supplied through an external switching device, such as a timer, or connected to a circuit that is regularly switched on and off by the utility.

i NOTE

Use device for room heating within enclosed rooms only.

2. Assembly, installation, minimum clearance

⚠ CAUTION!

Do not install the device directly below a wall socket.

The minimum clearances must be observed. In addition, a clearance of 500 mm is to be maintained in front of the unit.

The heating device must be aligned horizontally and installed on a vertical wall (see illustration). All dimensions in mm.

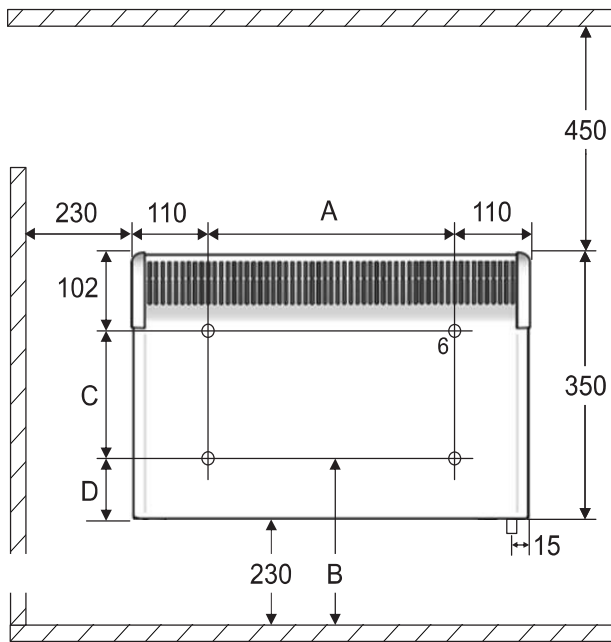
During assembly, the safety area must be complied with according to the current installation regulations.

The supply connection socket must be accessible after installation.

Make sure that the inflow and outflow of air at the top and bottom of the device are unimpeded.

i NOTE

Installation on wooden walls is permissible.



| Model | A | B | C | D |
|-------------------------------|-----------|-----------|-----------|-----------|
| DX 410E DX 415E DX 420E | 355 mm | 340 mm | 138 mm | 110 mm |
| DX 425E DX 430E | 475 mm | 310 mm | 168 mm | 80 mm |

Wall mounting

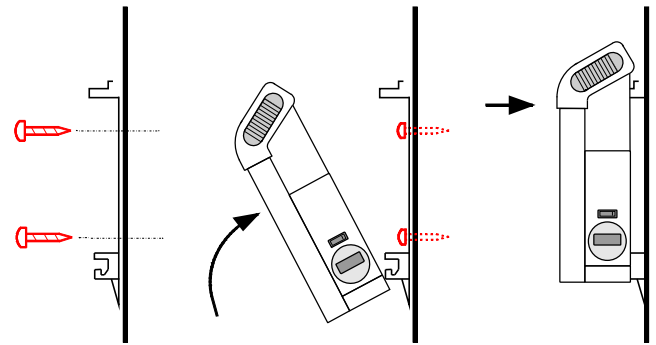
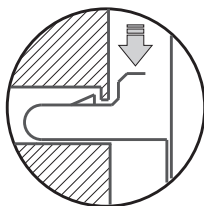
i NOTE

The original wall bracket supplied on the rear of the device must be used!

i NOTE

Look out for electric cables or pipework in the wall when drilling.

- Remove the wall bracket from the rear side of the device. To do this, press both springs down.
- Drill the fastening holes.
- Screw the wall bracket securely to the wall.
- Hook the device in the bottom slots of the wall bracket.
- Fold the device up and engage in the springs to lock.



3. Electrical connection

The voltage specified on the type plate must match the line voltage.

The cable must not be in contact with the casing.

It is recommended that a separate circuit be provided for the power supply.

The device must only be installed and repaired by a qualified electrician in accordance with the applicable safety regulations. Heating device must be earthed!

Connection may only take place on securely routed cables!

A disconnecting device with a contact opening of at least 3 mm at each pole (e.g. circuit breaker) must be provided in the permanently installed wiring.

4. Overload protector

For your safety, the heating device is equipped with an overload protector. If the air circulation is interrupted (e.g. due to the air grille being covered or closed), the device switches off automatically.

In this case, the power supply to the heating device should be disconnected for a few minutes (disconnect the plug, switch off the fuse) to allow the device to cool down sufficiently.

Before recommissioning the device, remove the reasons for the overload protector being triggered.

5. Cleaning

The device must be disconnected from the mains and allowed to cool down before cleaning and maintenance. Clean the outside of the device using a soft, damp cloth. Do not use scouring powder or furniture polish as this may damage the surface. Dust which gathers inside the device can be removed from the outside using a vacuum cleaner.

6. Control description

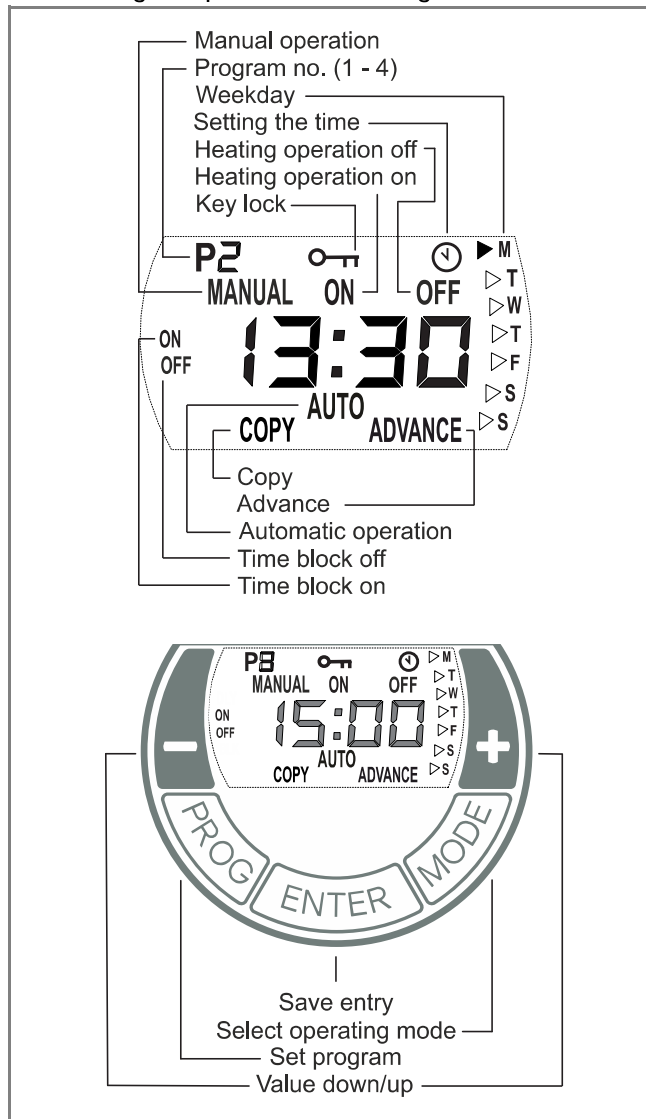
6.1 Control unit

The heating device is equipped with a configurable electronic control, consisting of a display, a red LED and five keys.

The control unit is located on the side on the right.

The set functions and values are shown on the display.

The LED lights up red when heating ON.



6.2 Key functions

MODE

- Automatic mode (week program)
- Manual operation ON
- Manual operation OFF

ENTER

Save entry.

PROG

Week program, set clock.

Keys +/-

Used to navigate through the menu and to change the setting values.

7. Possible operating modes

7.1 Automatic operation

Up to four heating program (ON/OFF) can be set for each weekday. A room temperature can be specified for each heating program.

AUTO appears on the display.

7.2 Manual operation

Manual specification of the room temperature.

MANUAL ON or MANUAL OFF appears on the display.

7.3 ADVANCE

Switch to the next program item in automatic mode.

ADVANCE appears on the display.

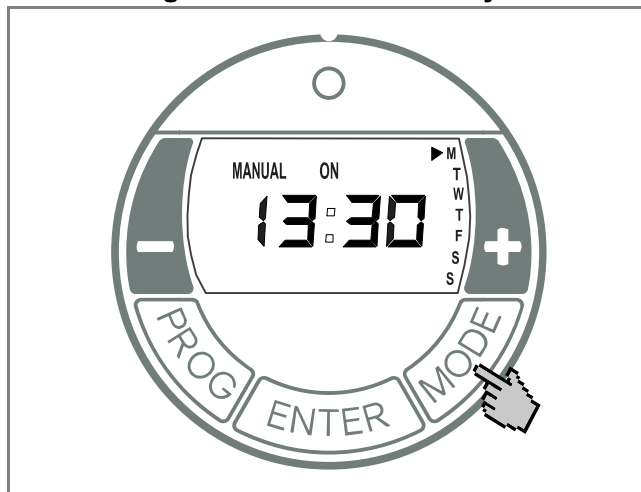
i NOTE

In manual operation (MANUAL ON), the room temperature can be specified with the +/- keys.

In automatic mode, the room temperature setting is only carried out for the current running time program.

8. Commissioning

8.1 Setting the time and week day

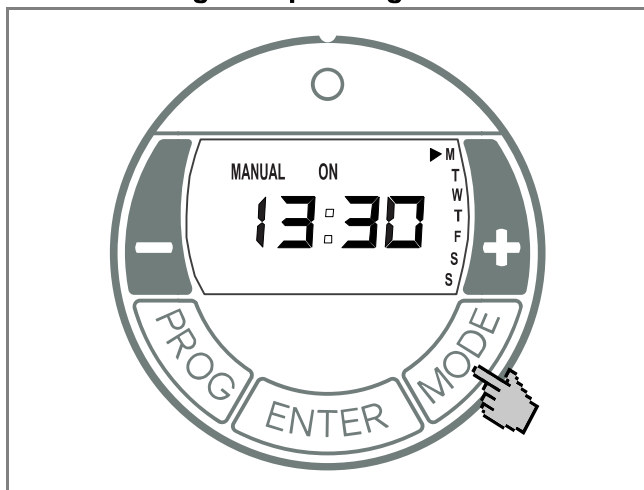


The time and day are set with the following steps:

- Press and hold the PROG key for three seconds. The clock symbol appears. The hours display flashes.
- Use the + / - keys to set the hours. Press the ENTER key. The minutes display flashes.
- Use the + / - keys to set the minutes. Press the ENTER key. The weekday flashes.
- Use the + / - keys to set the weekday. Press the ENTER key. The CLOCK symbol disappears. Setting is complete.

9. Operation

9.1 Selecting the operating mode



Pressing the MODE key switches the operating mode between MANUAL ON, MANUAL OFF and AUTO.

MANUAL ON

- Manual heating operation switched on.
- Display alternates between room temperature setting and the current time.
- Room temperature is set with +/-.

MANUAL OFF

- Heating operation switched off.
- The current time is displayed.
- Room temperature cannot be set.

i NOTE

In MANUAL OFF operating mode, frost protection takes place. If the room temperature is 5° C or less, the heating device is switched on automatically.

AUTO

- Automatic mode (week program) activated.
- Display alternates between room temperature setting and the current time.
- Heating operation takes place in the specified time blocks for ON and OFF.
- Room temperature is set with +/-.

No times blocks are specified at the factory. These must be defined by the user as required.

i NOTE

In time block OFF, frost protection is set at the factory. If the room temperature is 5° C or less, the heating device is switched on automatically.

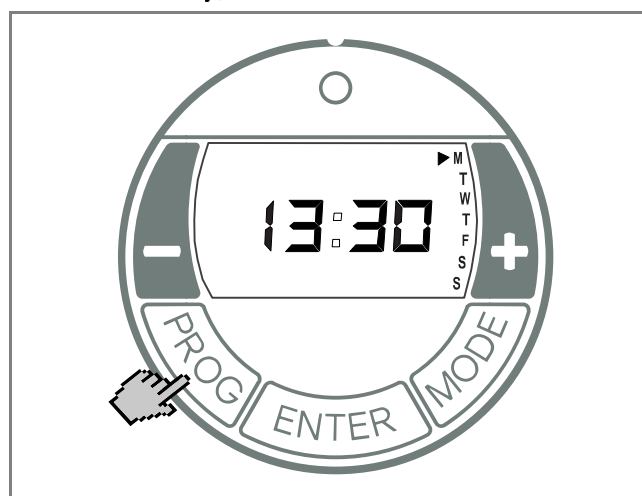
9.2 Automatic mode (week program)

i NOTE

For extended operation, it is advisable to use the AUTO operating mode to reduce the operating costs.

Four times blocks are available per day. These can be adapted individually for each weekday.

- Select AUTO operating mode by pressing the MODE button.
- Press the PROG key. WEEKDAY display flashes. Order from top to bottom:
M = Monday, F = Friday,
T = Tuesday, S = Saturday,
W = Wednesday, S = Sunday,
T = Thursday,



- Use the +/- keys to set the weekday.

Setting time block ON

- Press the ENTER key. P1 (program 1) and ON appears. The hours display flashes.
- Use the +/- keys to set the hours. Press the ENTER key. The minutes display flashes.
- Use +/- to set minutes (in 10 minute increments).

Setting time block OFF

- Press the ENTER key. P1 (program 1) and OFF appears. The hours display flashes.
- Use the +/- keys to set the hours. Press the ENTER key. The minutes display flashes.
- Use the +/- keys to set the minutes.

Temperature setting

- Press the ENTER key. Temperature setting appears.
- Use the +/- keys to set the temperature.
- Press the ENTER key. P2 (program 2) and ON appears. The hours display flashes.

The programs P2, P3 and P4 can be set in the same way.

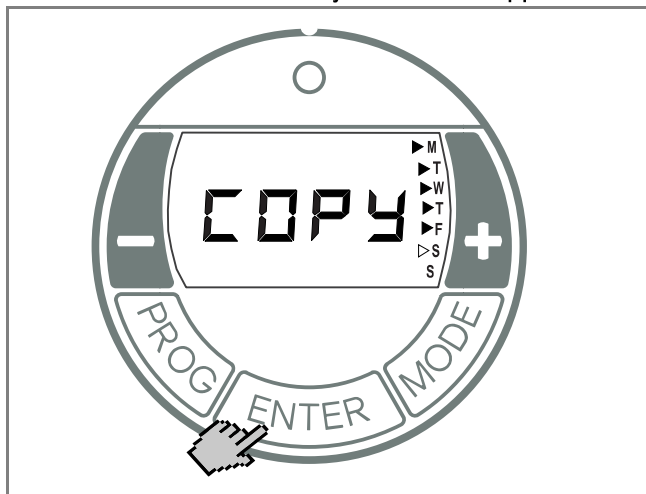
i NOTE

To exit the program early, press the PROG key.

Copying programs

To copy the newly set programs P1 - P4 to other days, proceed as follows.

- After carrying out the **Temperature Setting**, press and hold the ENTER key until COPY appears.



- Press + to select more weekdays. The selected weekdays are marked with a triangle displayed permanently. The days Monday to Friday are selected on the screen at the top. Deselect weekdays with the - key.
- Press the ENTER key. The settings are saved. COPY flashes three times. Setting is complete.

9.3 Frost protection

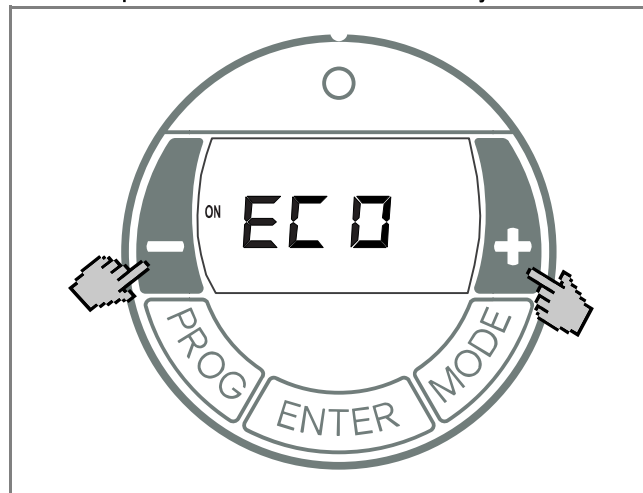
In MANUAL OFF operating mode and Auto operating mode (time block OFF), frost protection takes place. If the room temperature is 5° C or less, the heating device is switched on automatically.

9.4 Adaptive startup

This function guarantees that, in automatic mode (week program), the set room temperature is achieved exactly at the start of the switch-on time.

Example:

In the timer menu, a set room temperature of 22°C is specified. The current room temperature is 17° C. The heating device switches on early so that the specified room temperature of 22° C is reached by 07:00.



- Use the MODE key to select the operating mode AUTO.
- Press and hold the + key and the - key for three seconds.
- ECO appears.
- Activate/deactivate the function with the + / - keys: ON = Adaptive startup activated, OFF = Adaptive startup deactivated.
- Press the ENTER key. Setting is saved.

10. Options

10.1 Key lock

This function can be used to lock the operating elements.



- Press and hold the ENTER key and the MODE key for one second.
- The LOCKED key symbol appears in the display.
- To unlock, press and hold the ENTER key and the MODE at the same time again.

i NOTE

No settings can be made if the key lock is activated.

10.2 Advance

In automatic mode, the next time block can be selected early. The set time block then switches from OFF to ON or vice versa.



- Press and hold the + key for three seconds. ADVANCE flashes.
- Operating display on the left side of the screen switches from OFF to ON or vice versa.

Activating / deactivating the ADVANCE function

- Press the - key. ADVANCE disappears.

11. Warranty

This product is supplied with a two-year warranty according to our terms of guarantee.

12. Note on disposal

Do not dispose of the unit with general household waste. The device must be taken to a local waste disposal plant.



13. Technical data

| Model reference | DX 410E DX 415E DX 420E | DX 425E DX 430E | |
|---|-------------------------------|----------------------------|------------------|
| Nominal voltage | 1/N/PE, 230 - 240 V~ | | |
| Degree of protection | IP20 | | |
| Dimensions (W x H x D) | 575 x 350 x 124 mm | 695 x 350 x 124 mm | |
| Weight | 4.1 kg | 4.8 kg | |
| Heat output | | | |
| Nominal heat output | P_{nom} | 1.0 kW 1.5 kW 2.0 kW | 2.5 kW 3.0 kW |
| Minimum heat output (indicative) | P_{min} | 1.0 kW 1.5 kW 2.0 kW | 2.5 kW 3.0 kW |
| Maximum continuous heat output | $P_{max, C}$ | 1.0 kW 1.5 kW 2.0 kW | 2.5 kW 3.0 kW |
| Auxiliary electricity consumption | | | |
| At nominal heat output | $e_{l_{max}}$ | 0.0 W | 0.0 W |
| At minimum heat output | $e_{l_{min}}$ | 0.0 W | 0.0 W |
| In standby mode | $e_{l_{SB}}$ | 0.5 W | 0.5 W |
| Type of control | | | |
| Electronic room temperature controller with week program and adaptive control of the heating start. | | | |

GDC Group Ltd. Millbrook House,
Grange Drive, Hedge End,
Southampton, SO30 2DF
www.dimplex.co.uk

Tel.: +44 844 879 3588
Fax.: +44 844 879 3583
aftersales@dimplex.co.uk